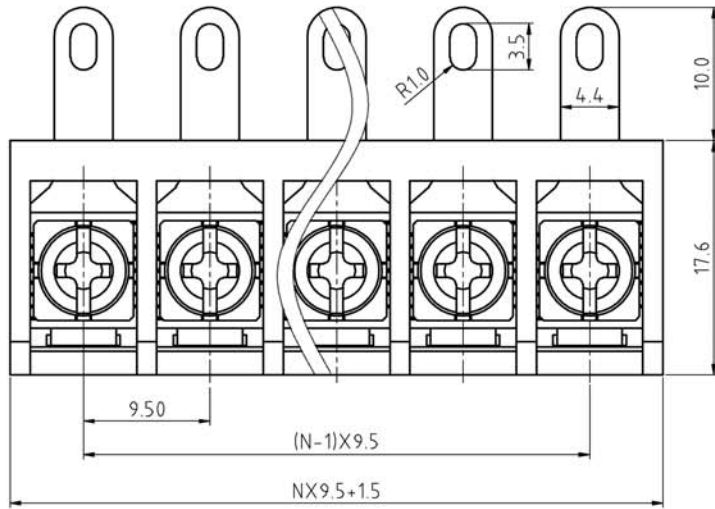
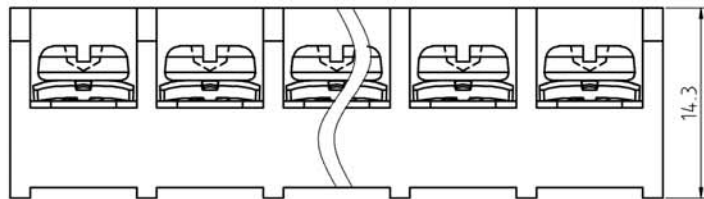


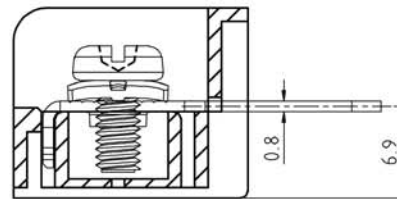
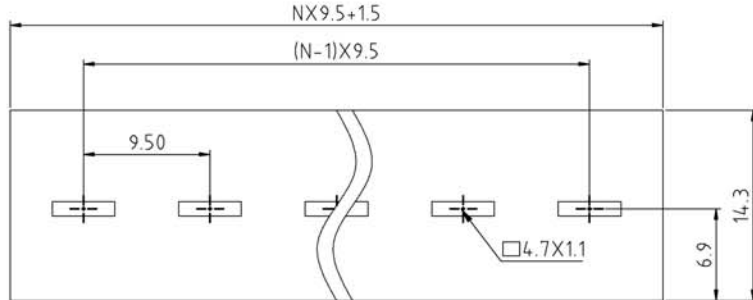
SIGN	DESCRIPTION	DATE	APPROVER



N=Number of contacts



P.C.B LAYOUT



Technical Data:

Material:

Terminals: Copper Alloy, Tin Plated
 Terminal screw: Steel galvanized with Cr3+ plated
 Insulator body(housing): Polyamide (Glass filled)(UL94V-0)

Electrical

Voltage rating: 300VAC
 Current rating: 25 Amps/way max
 Contact resistance: 20m Ω (max)
 Withstanding Voltage: 2500VAC(1min) Test time=60sec/1pcs
 Wire range: 12-22AWG

Mechanical:

Torque: 12kgf.cm/M3.5
 Operating temperature: -40°C to +105°C
 Soldering reliability:
 Test temperature= 250°C±10°C
 5 seconds max

Ordering Information:

U344 -4 - 9 XX - X X X 0

- A Black Pa66
- B Black Pbt
- 1 With flange
- 2 Without flange
- 1 "-"Screw Cr³⁺
- 2 "-/+"Screw Cr³⁺
- 3 "-"Screw Ni Plated
- 4 "-/+"Screw Ni Plated
- 02 2Pin
- To To
- 32 32Pin

WELINK 上海拓尔普电子科技有限公司
 Welink International Co., LTD.

TOLERANCE	APPROVED:	NAME:
X ±0.50	CHECKED:	U344-4 Pitch 9.5mm
X.X ±0.30	DRAWN: Yang Ming 2011,07,15	Without flange series
X.XX ±0.20	UNITS: mm	PART NO: U34449XX22B0
X° ±1°	REV: A	DWG NO: 9U3444002A
SCALE: 2.5 / 1	PAGE: 1 / 1	