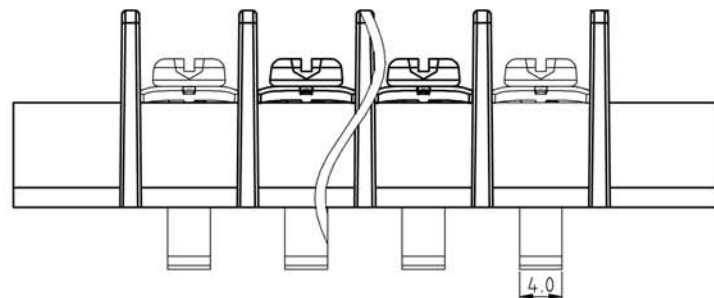
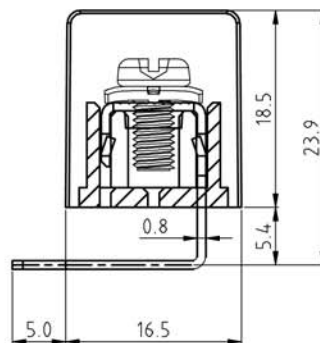
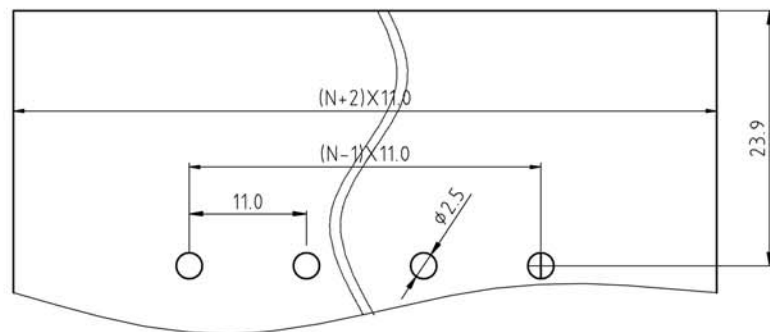


N=Number of contacts



P.C.B LAYOUT



SIGN	DESCRIPTION	DATE	APPROVER

Technical Data:

Material:

Terminals: Copper Alloy Tin plated

Terminal screw: Steel galvanized with Cr3+ plated

Insulator body(housing): Polyamide (Glass filled)(UL94V-0)

Electrical

Voltage rating: 300VAC

Current rating: 25 Amps/way max

Contact resistance: 20m  $\Omega$  (max)

Withstanding Voltage: 2500VAC(1min) Test time=60sec/1pcs

Wire range: 12-22AWG

Mechanical:

Torque: 18kgf.cm/M4.0

Operating temperature: -40°C to +105°C

Soldering reliability:

Test temperature= 250°C  $\pm$  10°C

5 seconds max

Ordering Information:

U171 - 6 - L XX - X X X 0

A Black Pa66  
B Black Pbt

1 With flange  
2 Without flange

1 "-" Screw Cr<sup>3+</sup>  
2 "-/+" Screw Cr<sup>3+</sup>  
3 "-" Screw Ni Plated  
4 "-/+" Screw Ni Plated

02 2Pin  
To To  
32 32Pin

**WELINK** 上海拓尔普电子科技有限公司  
Welink International Co., LTD.

TOLERANCE	APPROVED:	NAME:
X $\pm 0.50$	CHECKED:	U171-6 Pitch-11.0mm
X.X $\pm 0.30$	DRAWN: Yang Ming	-series With flange
X.XX $\pm 0.20$	2011,12,13	
X° $\pm 1^\circ$	UNITS: mm	REV: A
	SCALE: 2 / 1	PAGE: 1 / 1
		PART NO: U1716LXX21X0
		DWG NO: 9U1716001A