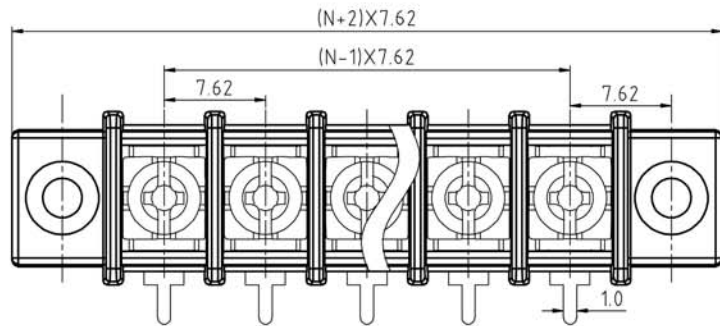
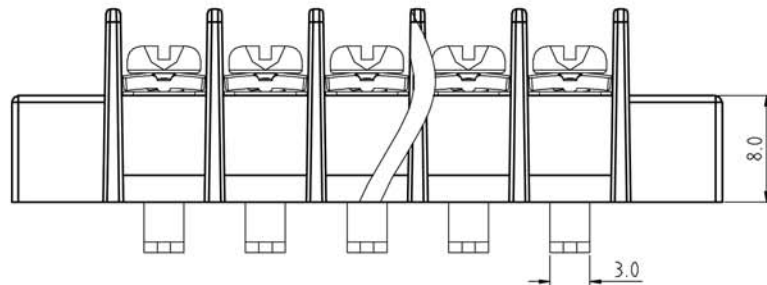


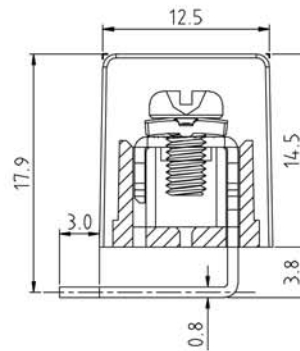
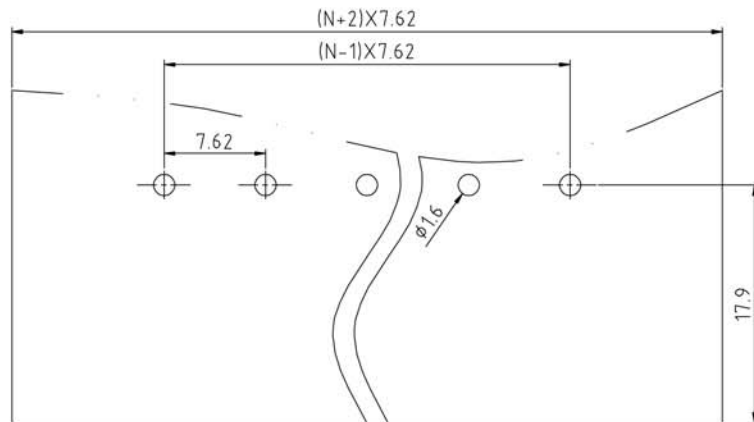
SIGN	DESCRIPTION	DATE	APPROVER



N=Number of contacts



P.C.B LAYOUT



Technical Data:

Material:

Terminals: Copper Alloy, Tin Plated  
Terminal screw: Steel galvanized with Cr3+ plated  
Insulator body(housing): Polyamide (Glass filled)(UL94V-0)

Electrical

Voltage rating: 250VAC  
Current rating: 15 Amps/way max  
Contact resistance: 20m  $\Omega$  (max)  
Withstanding Voltage: 2500VAC(1min) Test time=60sec/1pcs  
Wire range: 16-22AWG

Mechanical:

Torque: 6kgf.cm/M3.0  
Operating temperature: -40°C to +105°C  
Soldering reliability:  
Test temperature= 250°C  $\pm$  10°C  
5 seconds max

Ordering Information:

U131 - 6 - G XX - X X X 0

A Black Pa66  
B Black Pbt

1 With flange  
2 Without flange

1 "-" Screw Cr<sup>3+</sup>  
2 "-/" Screw Cr<sup>3+</sup>  
3 "-" Screw Ni Plated  
4 "-/" Screw Ni Plated

02 2Pin  
To To  
32 32Pin

**WELINK** 上海拓尔普电子科技有限公司  
Welink International Co., LTD.

TOLERANCE	APPROVED:	NAME:
X $\pm 0.50$	CHECKED:	U131-6 Pitch 7.62mm
X.X $\pm 0.30$	DRAWN: Yang Ming 2011,06,24	series With flange
X.XX $\pm 0.20$	UNITS: mm	PART NO: U1316GXX21B0
X° $\pm 1^\circ$	REV: A	DWG NO: 9U1316001A
	SCALE: 2.5 / 1	PAGE: 1 / 1