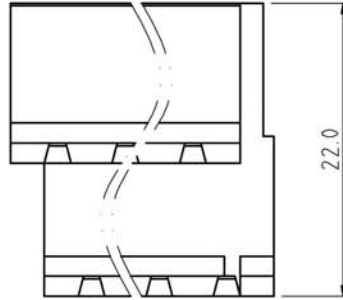
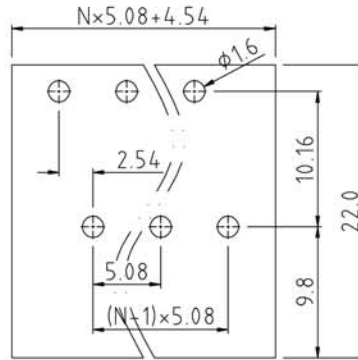


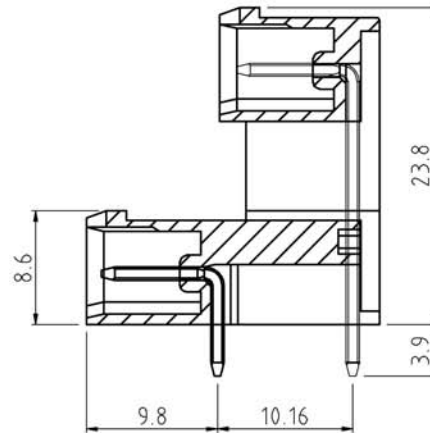
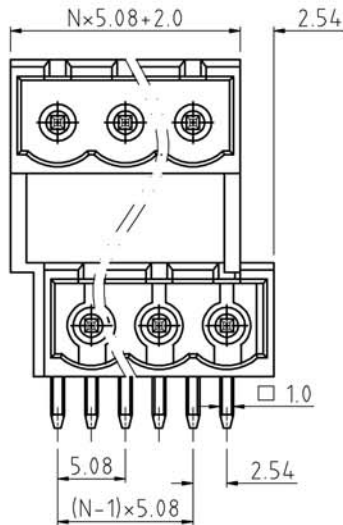
SIGN	DESCRIPTION	DATE	APPROVER



N=Number of contacts



PCB. LAYOUT



**Technical Data:**

**Material:**

Solder Pin: Copper Alloy with Tin plated

Insulator body(housing): Polyamide (Glass filled)(UL94V-0)

**Electrical**

Voltage rating: 300VAC

Current rating: 16A

Withstanding Voltage: AC 2500V(1min)

**Mechanical:**

Using temperature Range: -40°C to +105°C

Soldering temperature: +250°C, 5seconds Max.

**Ordering Information:**

F85-P-E XX-0 0 1 X 0

02 2Pin  
To To  
24 24Pin

5 Green  
6 Blue  
A Black

1 180°  
2 90°

0 Open  
1 Close  
2 Ear clip nut  
3 Square nut

**WELINK** 上海拓尔普电子科技有限公司  
Welink International Co., LTD.

TOLERANCE X. ±0.50 X.X ±0.30 X.XX ±0.20 X° ±1°	APPROVED:	NAME: F85-P Pitch 5.08mm -Close Series 90°
	CHECKED:	
	DRAWN: Ling Yu 2013,06,14	
	UNITS: mm	REV: A
	SCALE: 2.5 / 1	PAGE: 1 / 1
		PART NO: F85PEXX201X0
		DWG NO: 9F85PE012A