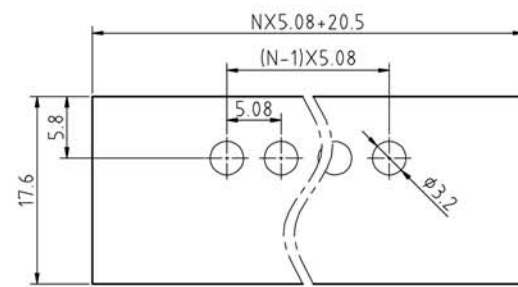
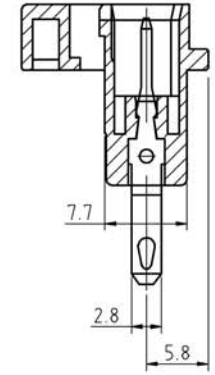
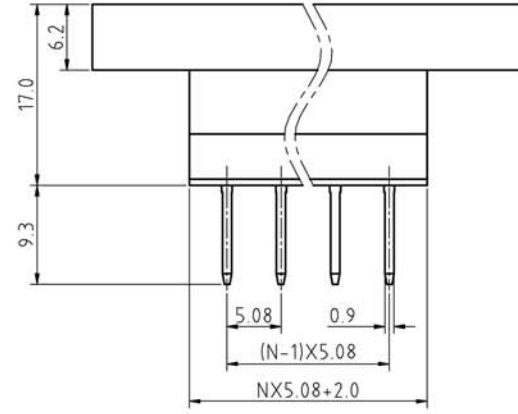
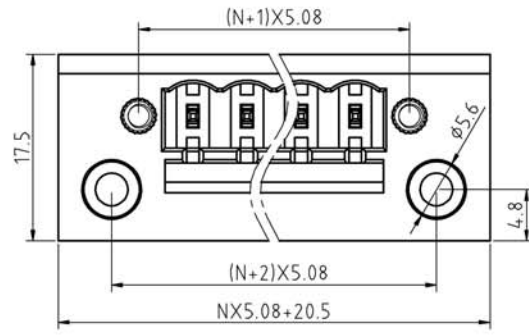


SIGN	DESCRIPTION	DATE	APPROVER



Technical Data:

Material:

Solder Pin: Copper Alloy with Tin plated

Metal nut: Copper Alloy

Insulator body(housing): Polyamide(Glass filled)(UL94V-0)

Electrical

Voltage rating: 300VAC

Current rating: 16A

Withstanding Voltage: 2500VAC(1min) Test time=60sec/1pcs

Mechanical:

Using temperature Range: -40°C to +105°C

Soldering temperature:+250°C,5seconds Max.

Ordering Information:

F85-N-E XX-0 0 0 X 0

- 02 2Pin
- To To
- 24 24Pin
- 5 Green
- 6 Blue
- A Black

WELINK 上海拓尔普电子科技有限公司
Welink International Co.,LTD.

TOLERANCE X ±0.50 X.X ±0.30 X.XX ±0.20 X° ±1°	APPROVED:	NAME: F85 - N Pitch 5.08mm -Series
	CHECKED:	
	DRAWN: Yang Ming 2012,06,20	
	UNITS: mm	REV: A
	SCALE: 2 / 1	PAGE: 1 / 1
		PART NO: F85NEXX000X0
		DWG NO: 9F85NE001A