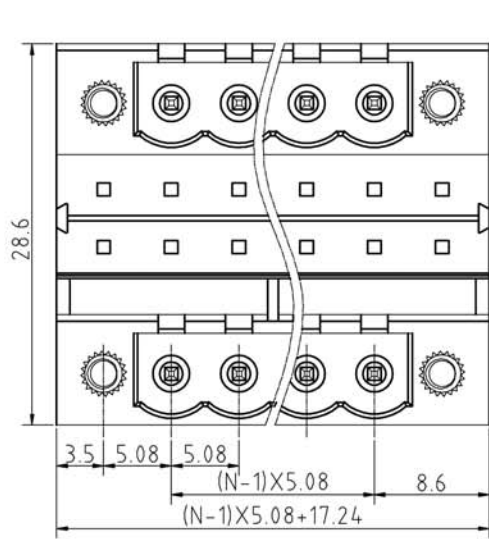
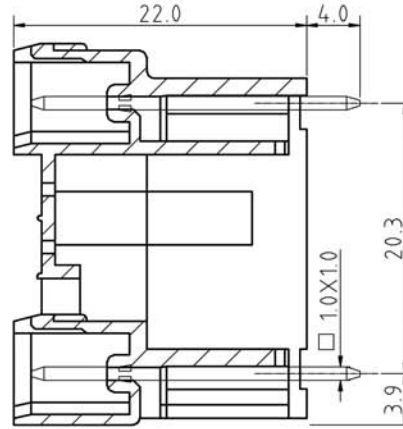


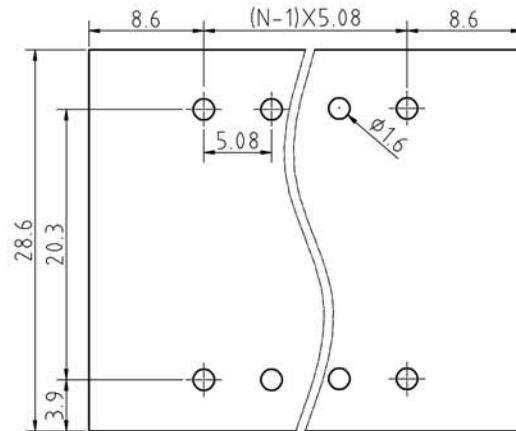
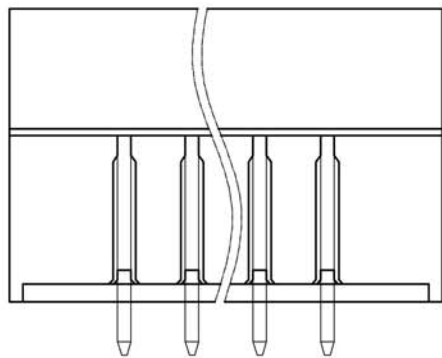
SIGN	DESCRIPTION	DATE	APPROVER
▲	-----	2006,10,05	TONY



N=Number of contacts



P.C.B. LAYOUT



Technical Data:
 Material:
 Solder Pin: Copper Alloy with Tin plated
 Metal nut: Copper Alloy
 Insulator body(housing): Polyamide
 (Glass filled)(UL94V-0)
 Electrical
 Voltage rating: 300VAC
 Current rating: 16A
 Withstanding Voltage: AC 2500V(1min)
 Mechanical:
 Using temperature Range: -40°C to +105°C
 Soldering temperature: +250°C, 5seconds Max.
 Ordering Information:

F85-K-E XX-0 0 0 X 0

02	2Pin	5	Green
To	To	6	Blue
24	24Pin	A	Black

WELINK 上海拓尔普电子科技有限公司
 Welink International Co., LTD.

TOLERANCE	APPROVED:	NAME: F85-K Pitch 5.08mm
X: ±0.50	CHECKED:	Series
X.X ±0.30	DRAWN: Yang Ming 2012,06,20	
X.XX ±0.20	UNITS: mm	PART NO: F85KEXX000X0
X° ±1°	REV: A	DWG NO: 9F85KE001A
⊕	SCALE: 2.5 / 1	PAGE: 1 / 1