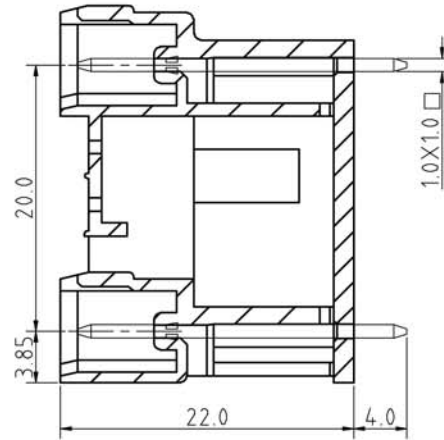
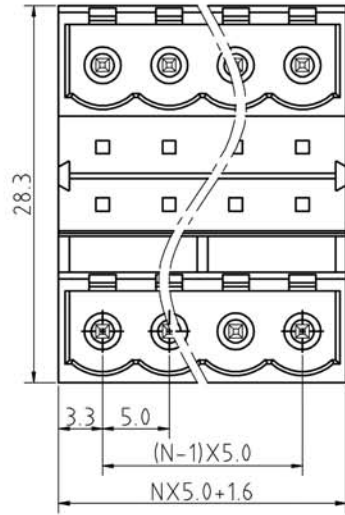


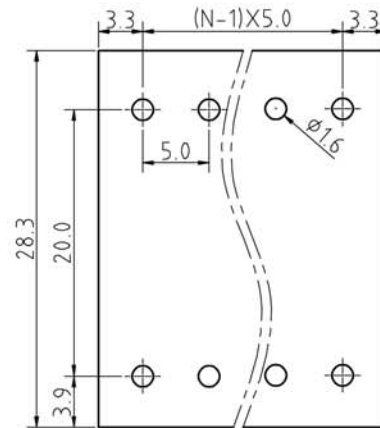
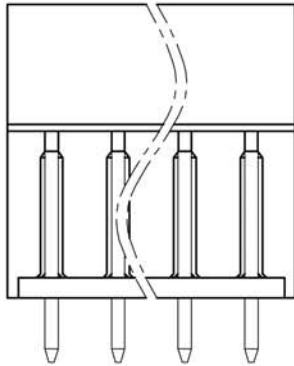
SIGN	DESCRIPTION	DATE	APPROVER



Technical Data:
Material:
Solder Pin: Copper Alloy with Tin plated
Insulator body(housing): Polyamide
(Glass filled)(UL94V-0)
Electrical
Voltage rating: 300VAC
Current rating: 16A
Withstanding Voltage: AC 2500V(1min)
Mechanical:
Using temperature Range: -40°C to +105°C
Soldering temperature:+250°C,5seconds Max.

N=Number of contacts

P.C.B. LAYOUT



Ordering Information:
F85-Y-5 XX-0 0 0 X 0

02	2Pin	5	Green
To	To	6	Blue
24	24Pin	A	Black

WELINK 上海拓尔普电子科技有限公司
Welink International Co., LTD.

TOLERANCE	APPROVED:	NAME: F85-Y Pitch 5.0mm
X: ±0.50	CHECKED:	-Series
X.X ±0.30	DRAWN: Yang Ming 2012,06,20	PART NO: F85Y5XX000X0
X.XX ±0.20	UNITS: mm REV: A	DWG NO: 9F85Y5001A
X° ±1°	SCALE: 2.5 / 1 PAGE: 1 / 1	