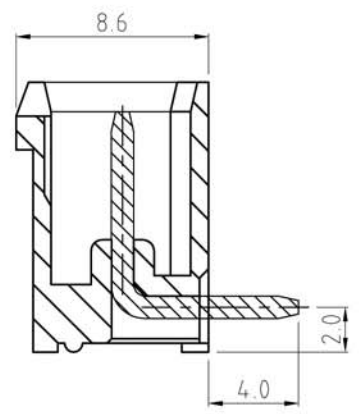
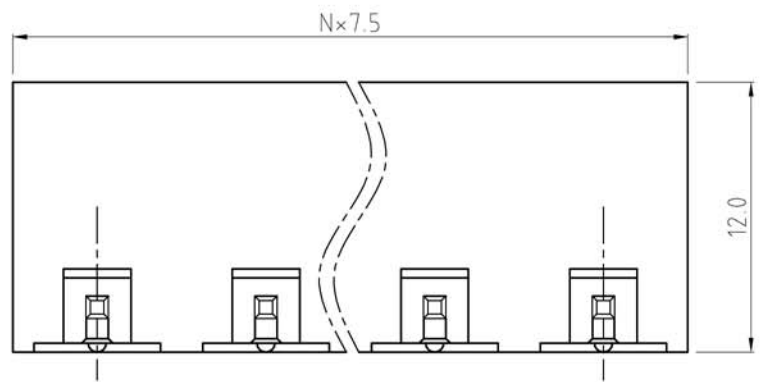
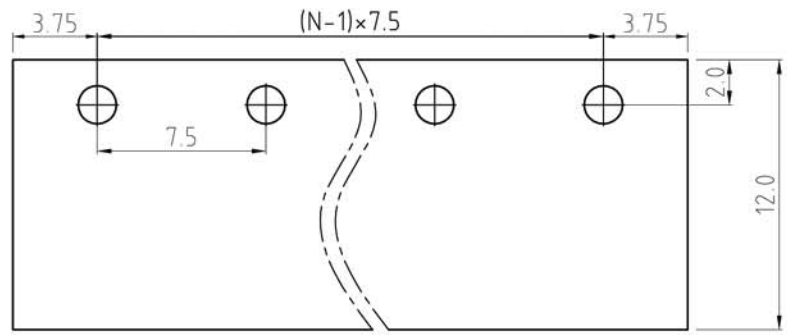
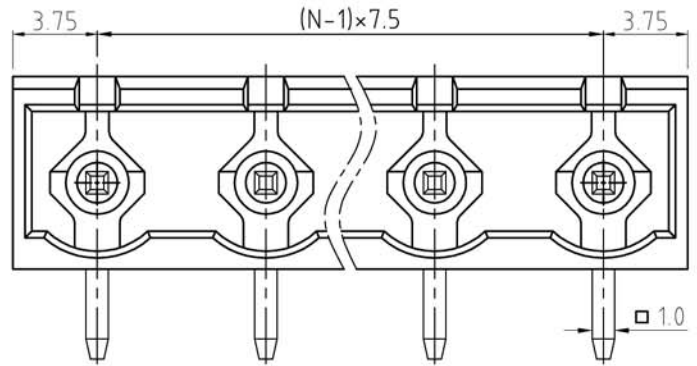


SIGN	DESCRIPTION	DATE	APPROVER



N=Number of contacts



PCB. LAYOUT

Technical Data:

Material:

Solder Pin: Copper Alloy, Tin plated
 Insulator body(housing): Polyamide
 (Glass filled)(UL94V-0)

Electrical

Voltage rating: 300VAC
 Current rating: 16A
 Withstanding Voltage: AC 2500V(1min)

Mechanical:

Using temperature Range: -40°C to +105°C
 Soldering temperature:+250°C,5seconds Max.

Ordering Information:

F85-7-7 XX-0 0 0 X 0 0 0 0

02 2Pin | 5 Green
 To To | 6 Blue
 24 24Pin | A Black

WELINK 上海拓尔普电子科技有限公司
 Welink International Co., LTD.

TOLERANCE X. ±0.50 X.X ±0.30 X.XX ±0.20 X° ±1°	APPROVED:	NAME: F85-7 Pitch 7.5mm - Series PART NO: F8577XX000X0000 DWG NO: 9F8577001A
	CHECKED:	
	DRAWN: West 2018,01,13	
UNITS: mm	REV: A	PAGE: 1 / 1
SCALE: 4 / 1	PAGE: 1 / 1	