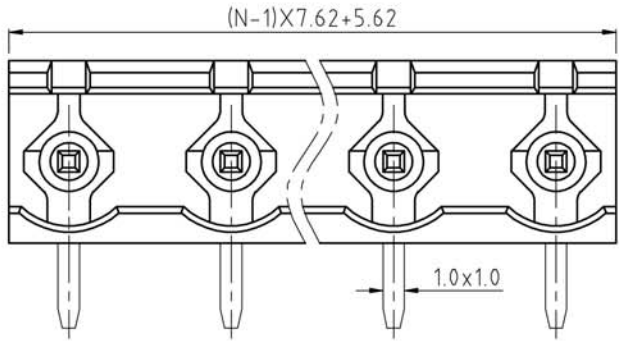
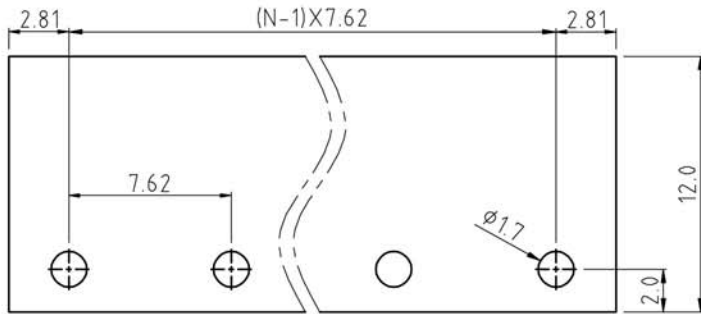
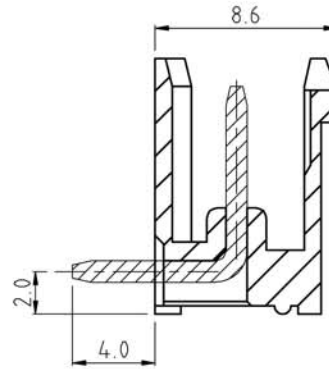
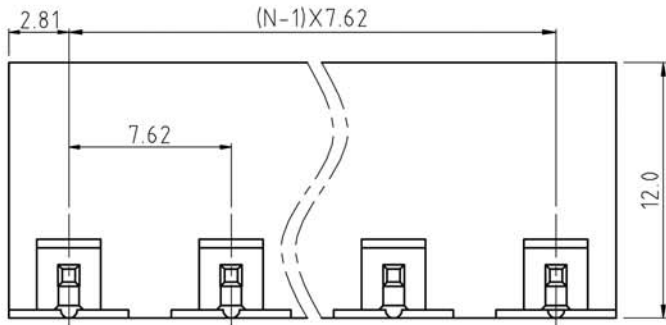


| SIGN | DESCRIPTION | DATE | APPROVER |
|------|-------------|------|----------|
| | | | |
| | | | |



N=Number of contacts



PCB. LAYOUT

Technical Data:

Material:

Solder Pin: Copper Alloy, Tin plated
Insulator body(housing): Polyamide
(Glass filled)(UL94V-0)

Electrical

Voltage rating: 300VAC

Current rating: 16A

Withstanding Voltage: AC 2500V(1min)

Mechanical:

Using temperature Range: -40°C to +105°C

Soldering temperature:+250°C,5seconds Max.

Ordering Information:

F85-3-G XX-0 0 0 X 0

02 2Pin 5 Green
To To 6 Blue
24 24Pin A Black

WELINK 上海拓尔普电子科技有限公司
Welink International Co., LTD.

| | | |
|-------------|----------------------------|-----------------------|
| TOLERANCE | APPROVED: | NAME: |
| X: ±0.30 | CHECKED: | F85-3 Pitch 7.62mm |
| X.X: ±0.15 | DRAWN: YangMing 2012,06,20 | -Series |
| X.XX: ±0.05 | UNITS: mm | PART NO: F853GXX000X0 |
| X°: ±1° | SCALE: 4 / 1 | REV: A |
| | PAGE: 1 / 1 | DWG NO: 9F853G001A |