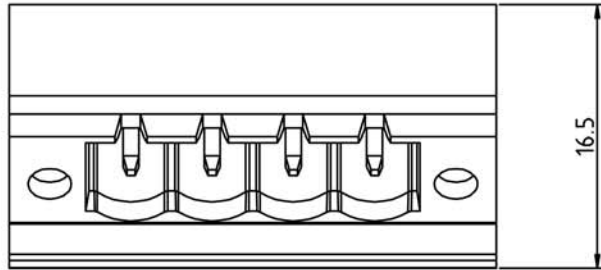
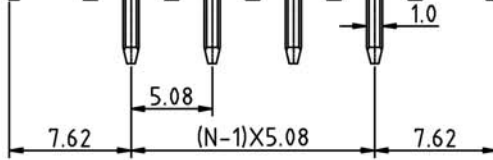
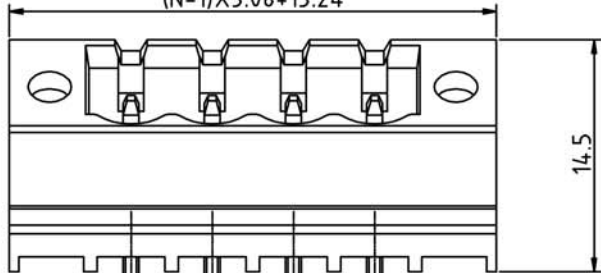


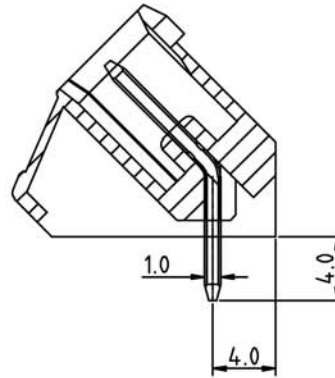
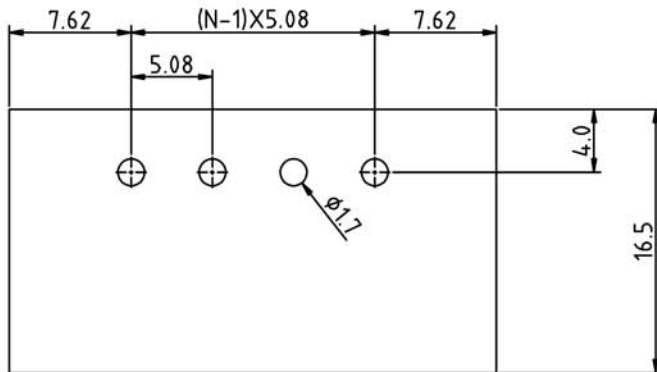
SIGN	DESCRIPTION	DATE	APPROVER



N=Number of contacts  
(N-1)X5.08+15.24



PCB. LAYOUT



Technical Data:

Material:

Solder Pin: Copper Alloy, Tin plated  
Insulator body(housing): Polyamide  
(Glass filled)(UL94V-0)

Electrical

Voltage rating: 300VAC  
Current rating: 16A  
Withstanding Voltage: AC 2500V(1min)

Mechanical:

Using temperature Range: -40°C to +105°C  
Soldering temperature:+250°C,5seconds Max.

Ordering Information:

F85-F-E XX-0 0 2 X 0

- |    |       |   |            |
|----|-------|---|------------|
| 02 | 2Pin  | 5 | Green      |
| To | To    | 6 | Blue       |
| 24 | 24Pin | A | Black      |
|    |       | 0 | Open       |
|    |       | 1 | Close      |
|    |       | 2 | Screw nut  |
|    |       | 3 | Square nut |

**WELINK** 上海拓尔普电子科技有限公司  
Welink International Co.,LTD.

TOLERANCE	APPROVED:	NAME: F85-F Pitch 5.08mm
X. ±0.30	CHECKED:	- Series(上耳扣螺母)
X.X ±0.15	DRAWN: Ling Yu 2013,03,26	
X.XX ±0.05	UNITS: mm	REV: A
X° ±1°	SCALE: 3 / 1	PAGE: 1 / 1
		PART NO: F85FEXX002X0
		DWG NO: 9F85FE001A