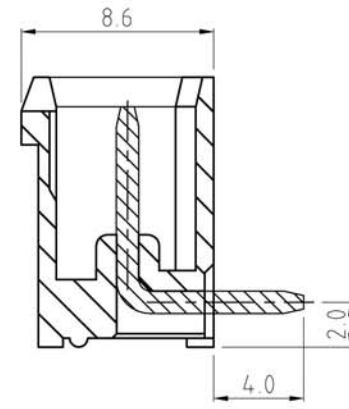
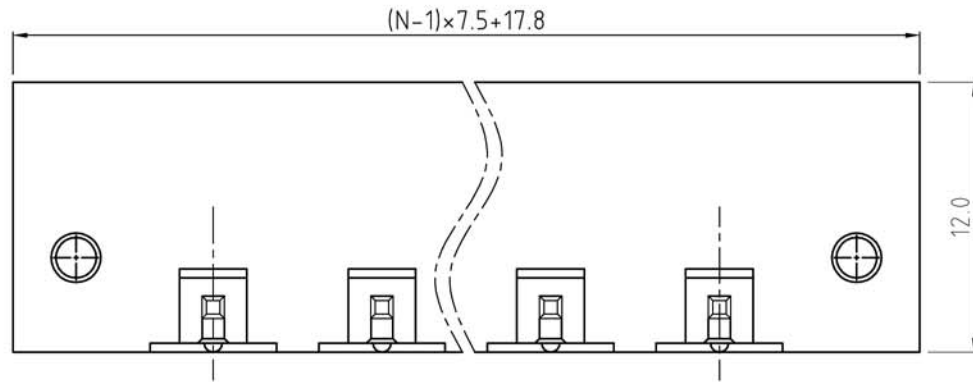
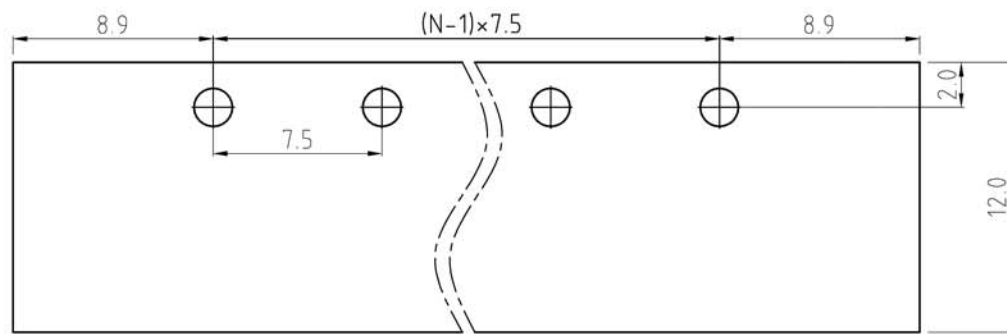
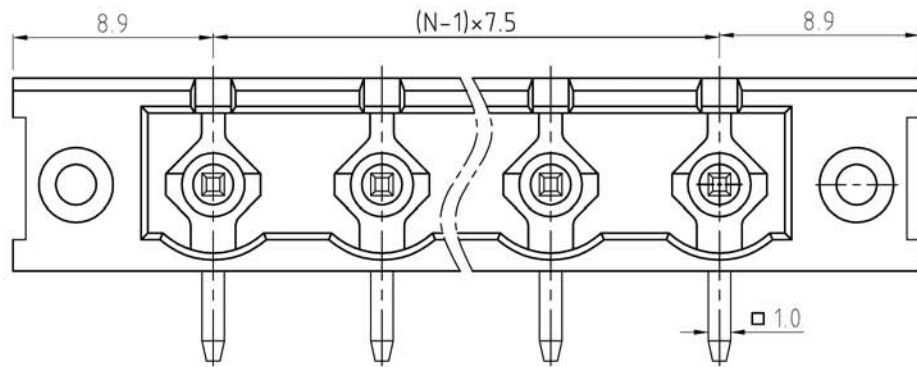


SIGN	DESCRIPTION	DATE	APPROVER



N=Number of contacts



PCB. LAYOUT

Technical Data:
 Material:
 Solder Pin: Copper Alloy, Tin plated
 Insulator body(housing): Polyamide (Glass filled)(UL94V-0)
 Electrical
 Voltage rating: 300VAC
 Current rating: 16A
 Withstanding Voltage: AC 2500V(1min)
 Mechanical:
 Using temperature Range: -40°C to +105°C
 Soldering temperature:+250°C,5seconds Max.
 Ordering Information:
F85-8-7 XX-0 0 0 X 0 0 0 0

02	2Pin	5	Green
To	To	6	Blue
24	24Pin	A	Black

WELINK 上海拓尔普电子科技有限公司
 Welink International Co., LTD.

TOLERANCE	APPROVED:	NAME: F85 - 8 间距 7.5mm
X. ±0.50	CHECKED:	-主体有耳耳扣螺母
X.X ±0.30	DRAWN: West 2018,01,12	PART NO: F8587XX000X0000
X.XX ±0.20	UNITS: mm REV: A	DWG NO: 9F8587001A
X° ±1°	SCALE: 4 / 1 PAGE: 1 / 1	