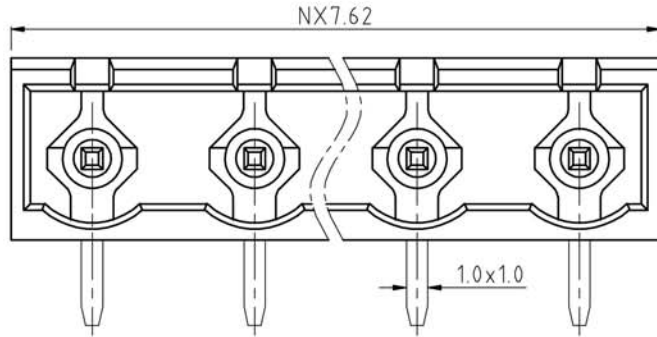
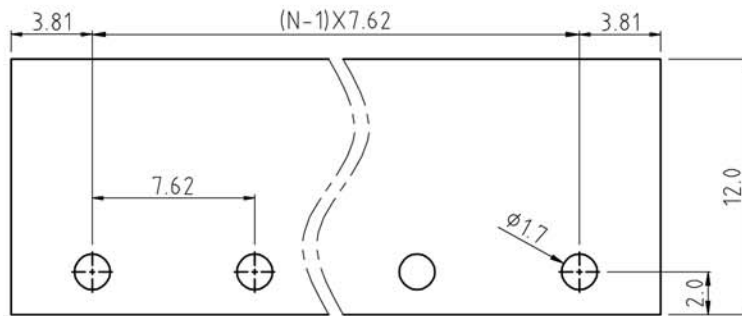
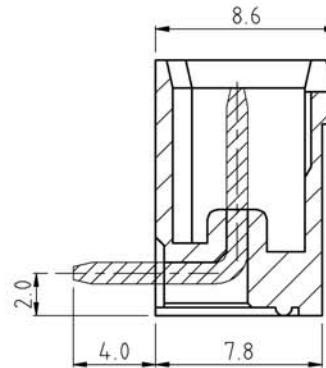
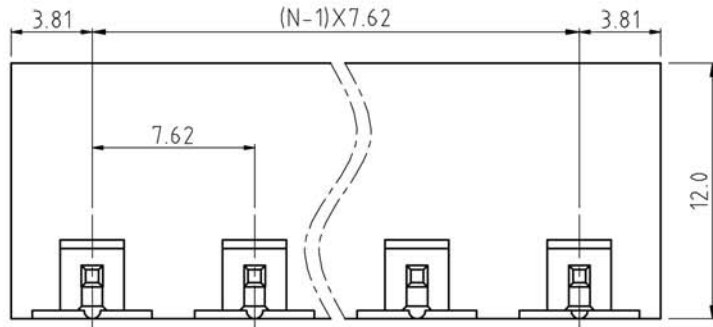


SIGN	DESCRIPTION	DATE	APPROVER



N=Number of contacts



PCB. LAYOUT

Technical Data:

Material:

Solder Pin: Copper Alloy, Tin plated  
 Insulator body(housing): Polyamide  
 (Glass filled)(UL94V-0)

Electrical

Voltage rating: 300VAC  
 Current rating: 16A  
 Withstanding Voltage: AC 2500V(1min)

Mechanical:

Using temperature Range: -40°C to +105°C  
 Soldering temperature: +250°C, 5seconds Max.

Ordering Information:

F85-7-G XX-0 0 0 X 0

02	2Pin	5	Green
To	To	6	Blue
24	24Pin	A	Black

**WELINK** 上海拓尔普电子科技有限公司  
 Welink International Co., LTD.

TOLERANCE X: $\pm 0.30$ X.X: $\pm 0.15$ X.XX: $\pm 0.05$ X°: $\pm 1^\circ$	APPROVED:	NAME: F85-7 Pitch 7.62mm -Series
	CHECKED:	
	DRAWN: YangMing 2012,06,20	
	UNITS: mm	REV: A
	SCALE: 4 / 1	PAGE: 1 / 1
		PART NO: F857GXX00050
		DWG NO: 9F857G001A