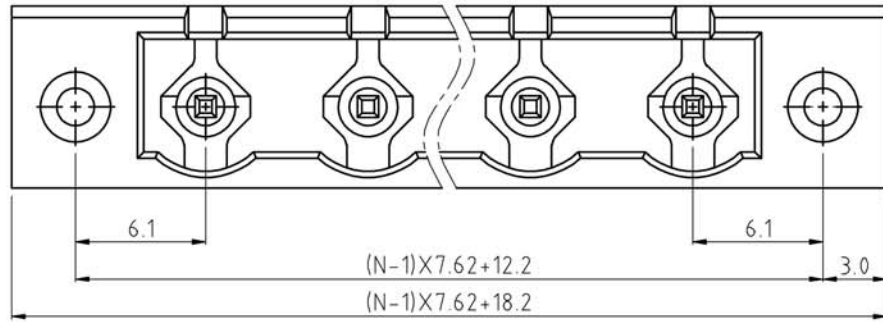
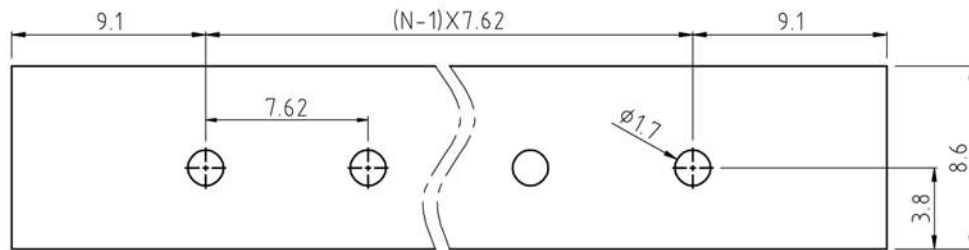
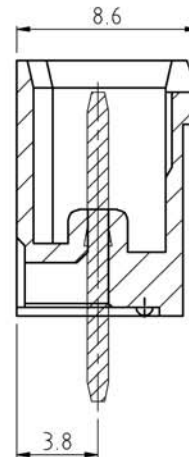
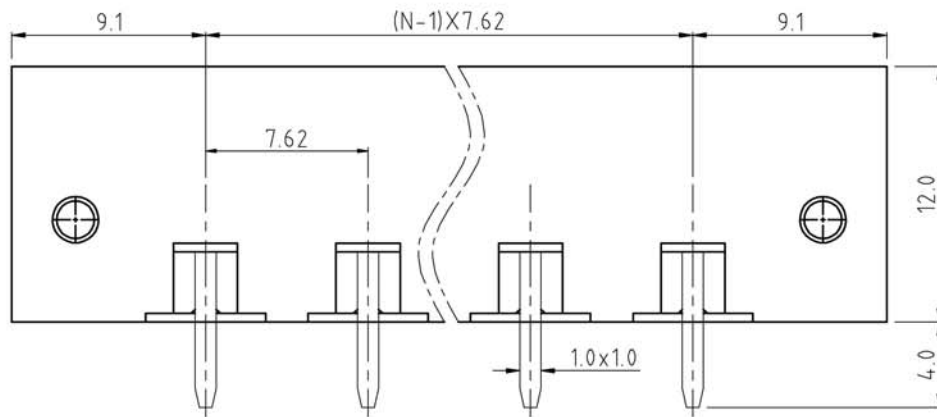


SIGN	DESCRIPTION	DATE	APPROVER



N=Number of contacts



PCB. LAYOUT

Technical Data:

Material:

Solder Pin: Copper Alloy, Tin plated

Metal nut: Copper Alloy

Insulator body(housing): Polyamide
(Glass filled)(UL94V-0)

Electrical

Voltage rating: 300VAC

Current rating: 16A

Withstanding Voltage: AC 2500V(1min)

Mechanical:

Using temperature Range: -40°C to +105°C

Soldering temperature: +250°C, 5seconds Max.

Ordering Information:

F85-6-G XX-0 0 0 X 0

02 2Pin
To To
24 24Pin

5 Green
6 Blue
A Black

WELINK 上海拓尔普电子科技有限公司
Welink International Co., LTD.

TOLERANCE	APPROVED:	NAME:
X ±0.30	CHECKED:	F85-6 Pitch 7.62mm
X.X ±0.15	DRAWN: YangMing 2012,06,20	-Series
X.XX ±0.05	UNITS: mm	REV: A
X° ±1°	SCALE: 4 / 1	PAGE: 1 / 1
		PART NO: F856GXX000X0
		DWG NO: 9F856G001A