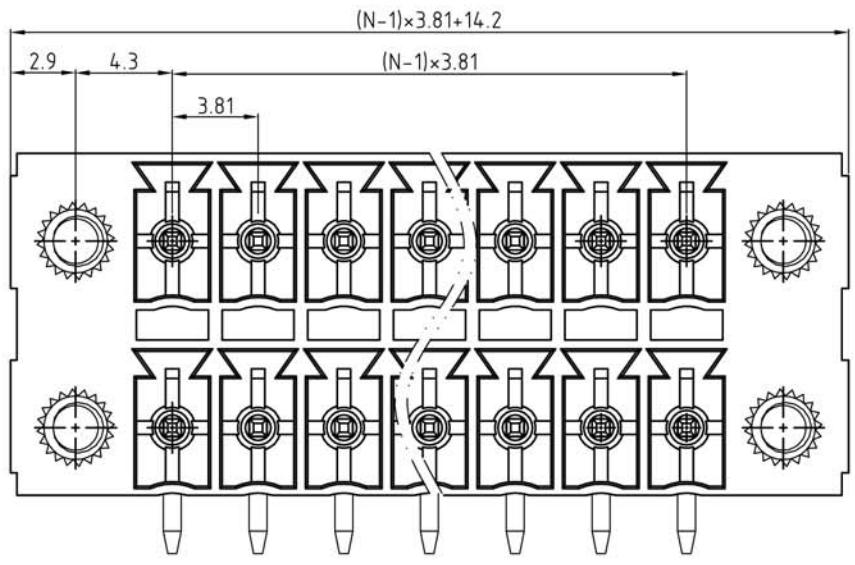
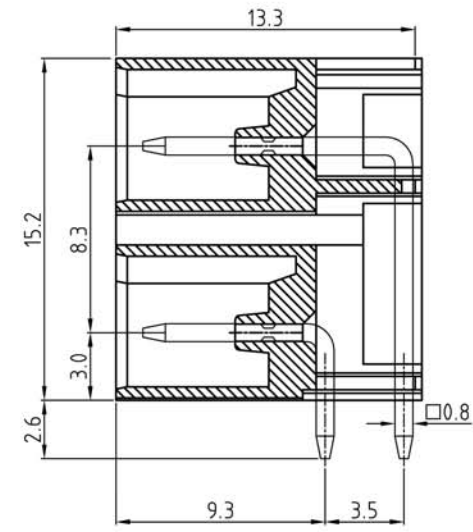


SIGN	DESCRIPTION	DATE	APPROVER

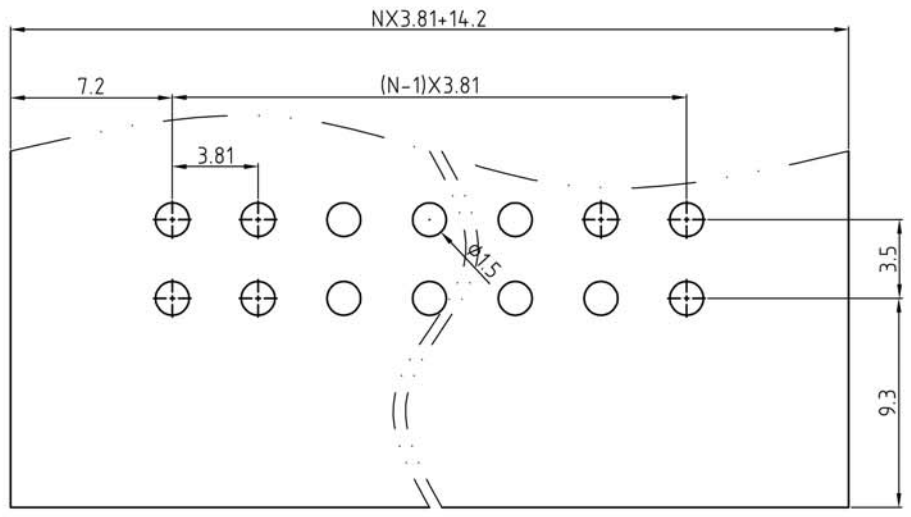


N=Number of contacts



Technical Data:  
Material:  
Solder Pin: Copper Alloy Tin plated  
Insulator body(housing): Polyamide (Glass filled)(UL94V-0)  
Electrical  
Voltage rating: 300VAC  
Current rating: 12A  
Withstanding Voltage: AC 2500V(1min)  
Mechanical:  
Using temperature Range: -40°C to +105°C  
Soldering temperature:+250°C,5seconds Max.  
Ordering Information:  
F83-U-C XX-0 0 0 X 0

02	2Pin	5	Green
To	To	6	Blue
24	24Pin	A	Black



PCB. LAYOUT

**WELINK** 上海拓尔普电子科技有限公司  
Welink International Co., LTD.

TOLERANCE X. X.X X.XX X°	APPROVED:	NAME: F83-U Pitch 3.81mm -Series
	CHECKED:	
	DRAWN: Ling Yu 2014,08,18	
	UNITS: mm	REV: A
SCALE: 4 / 1	PAGE: 1 / 1	DWG NO: 9F83UC001A