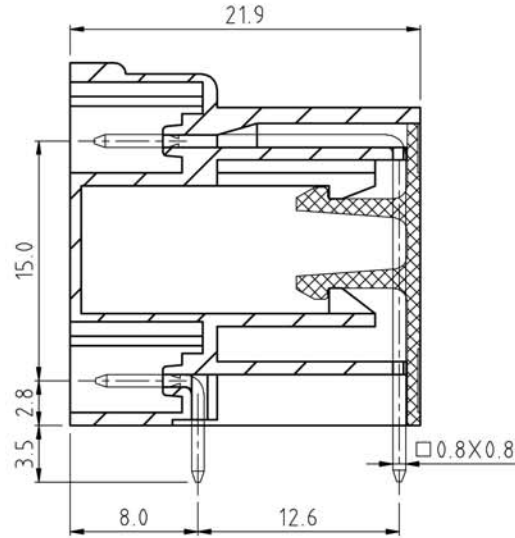
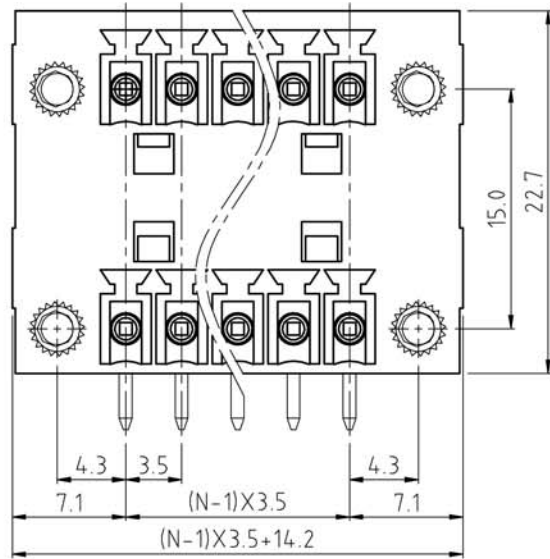


SIGN	DESCRIPTION	DATE	APPROVER



Technical Data:

Material:

Solder Pin: Copper Alloy Tin plated

Metal nut: Copper Alloy

Insulator body(housing): Polyamide(Glass filled)(UL94 V-0)

Electrical

Voltage rating: 300VAC

Current rating: 12Amps/way max

Withstanding Voltage: 2500VAC(1min) Test time=60sec/1pcs

Mechanical:

Operating temperature: -40°C to $+105^{\circ}\text{C}$

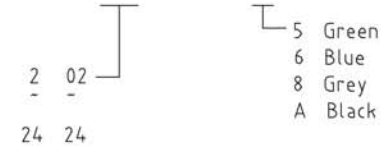
Soldring reliability:

Test temperature= $250^{\circ}\text{C} \pm 10^{\circ}\text{C}$

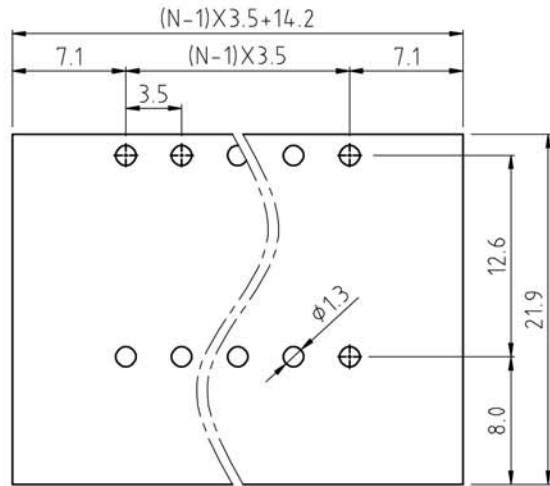
5 seconds max

Ordering Information:

F83 - L - 3 XX - X 0 0 X 0



N=Number of contacts



P.C.B. LAYOUT

WELINK 上海拓尔普电子科技有限公司
Welink International Co., LTD.

TOLERANCE	APPROVED:	NAME: F83 - L pitch 3.5mm - series
X: ± 0.50	CHECKED:	
X.X: ± 0.30	DRAWN: Yang Ming 2011,09,26	PART NO: F83L3XXX00X0
X.XX: ± 0.20	UNITS: mm REV: A	
X°: $\pm 1^{\circ}$	SCALE: 3 / 1 PAGE: 1 / 1	DWG NO: 9F83L3001A