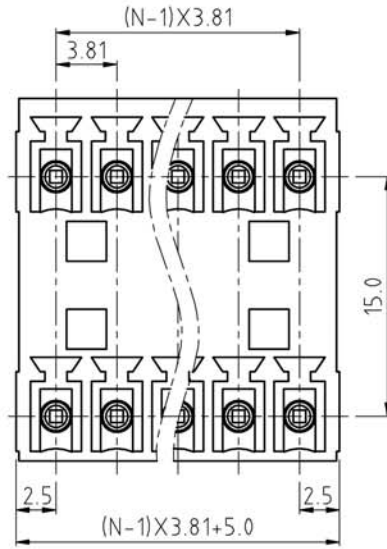
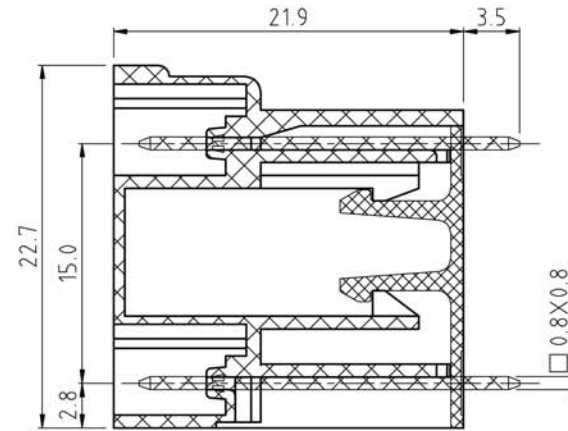


SIGN	DESCRIPTION	DATE	APPROVER



N=Number of contacts



Technical Data:

Material:

Solder Pin: Copper Alloy Tin plated

Insulator body(housing): Polyamide(Glass filled)(UL94V-0)

Electrical

Voltage rating: 300VAC

Current rating: 12Amps/way max

Withstanding Voltage: 2500VAC(1min) Test time=60sec/1pcs

Mechanical:

Operating temperature: -40°C to +105°C

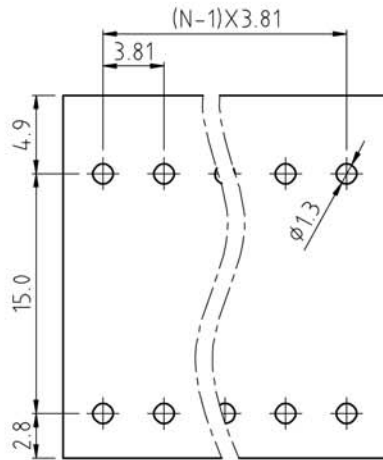
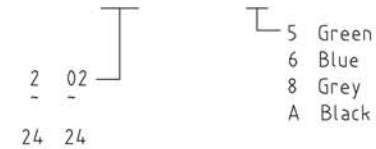
Soldering reliability:

Test temperature= 250°C±10°C

5 seconds max

Ordering Information:

F83 - Y - C XX - X 0 0 X 0



P.C.B. LAYOUT

**WELINK** 上海拓尔普电子科技有限公司  
Welink International Co., LTD.

TOLERANCE	APPROVED:	NAME: F83 - Y pitch 3.81mm
X: ±0.50	CHECKED:	- series
X.X ±0.30	DRAWN: Yang Ming 2011,09,26	PART NO: F83YCXXX00X0
X.XX ±0.20	UNITS: mm	REV: A
X° ±1°	SCALE: 3 / 1	PAGE: 1 / 1
		DWG NO: 9F83YC001A