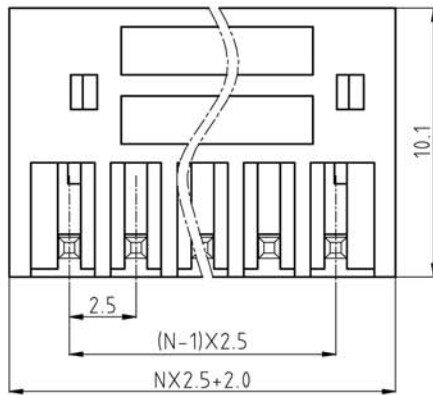
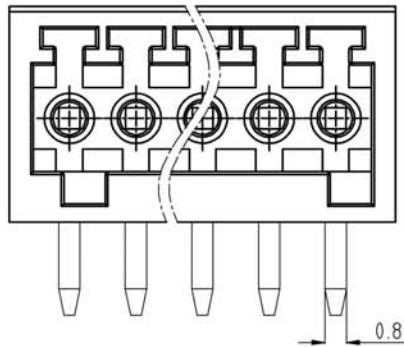
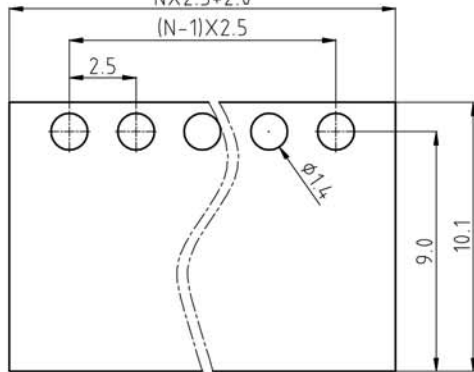


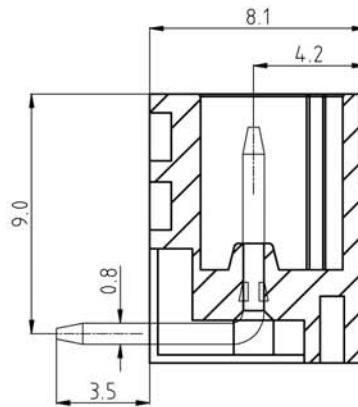
SIGN	DESCRIPTION	DATE	APPROVER



N=Number of contacts
NX2.5+2.0



PCB. LAYOUT



Technical Data:

Material:

Solder Pin: Copper Alloy Tin plated

Insulator body(housing): Polyamide(Glass filled)(UL94V-0)

Electrical

Voltage rating: 300VAC

Current rating: 12 Amps/way max

Withstanding Voltage: 2500VAC(1min) Test time=60sec/1pcs

Mechanical:

Operating temperature: -40°C to +105°C

Soldering reliability:

Test temperature= 250°C±10°C

5 seconds max

Ordering Information:

F83-7-2 XX 0 0 0 X 0

02	2Pin	5	Green
To	To	6	Blue
24	24Pin	A	Black

WELINK 上海拓尔普电子科技有限公司
Welink International Co., LTD.

TOLERANCE X ±0.30 X.X ±0.15 X.XX ±0.05 X° ±1°	APPROVED:	NAME: F83-7 Pitch 2.5mm -Series
	CHECKED:	
	DRAWN: YangMing 2012,06,20	
	UNITS: mm	REV: A
	SCALE: 5 / 1	PAGE: 1 / 1
		PART NO: F8372XX000X0
		DWG NO: 9F8372001A