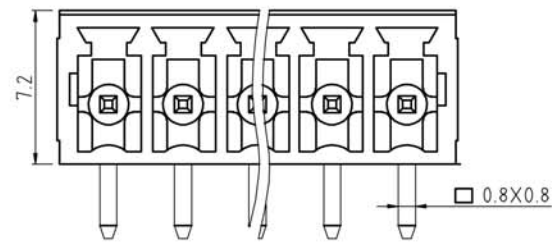
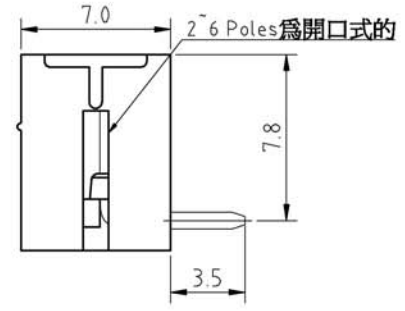
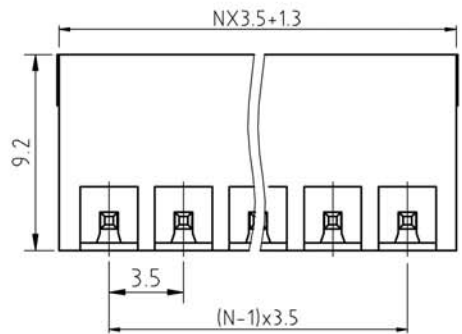
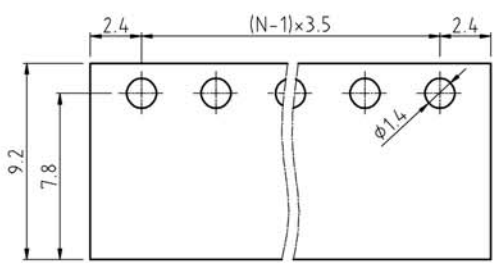


SIGN	DESCRIPTION	DATE	APPROVER



N=Number of contacts



P.C.B. LAYOUT

Technical Data:  
Material:  
Solder Pin: Copper Alloy Tin plated  
Insulator body(housing): Polyamide(Glass filled)(UL94V-0)  
Electrical  
Voltage rating: 300VAC  
Current rating: 12 Amps/way max  
Withstanding Voltage: 2500VAC(1min) Test time=60sec/1pcs  
Mechanical:  
Operating temperature: -40°C to +105°C  
Soldering reliability:  
Test temperature= 250°C±10°C  
5 seconds max  
Ordering Information:  
F83-7-3 XX 0 0 0 X 0

02	2Pin	5	Green
To	To	6	Blue
24	24Pin	A	Black

**WELINK** 上海拓尔普电子科技有限公司  
Welink International Co.,LTD.

TOLERANCE X ±0.50 X.X ±0.30 X.XX ±0.20 X° ±1°	APPROVED:	NAME: F83-7 3.5mm Right Angle Series
	CHECKED:	
	DRAWN: YangMing 2012,06,20	
UNITS: mm	REV: A	PART NO: F8373XX000X0
SCALE: 4 / 1	PAGE: 1 / 1	DWG NO: 9F8373001A