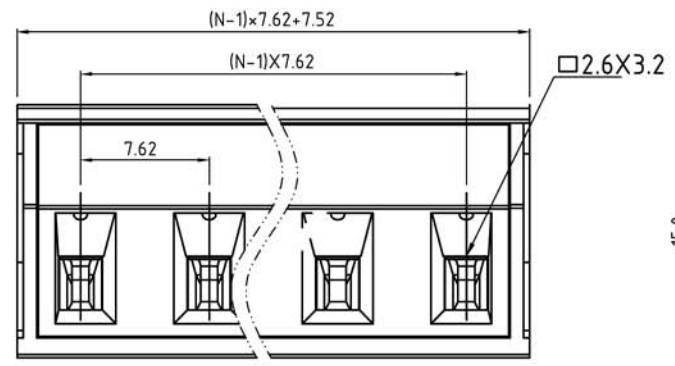
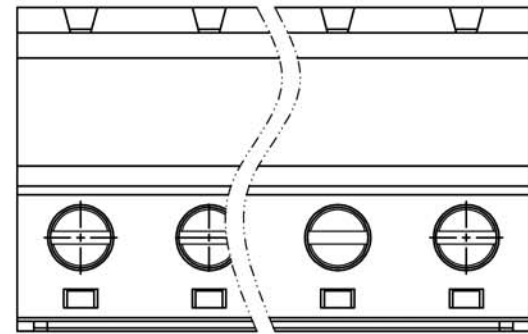
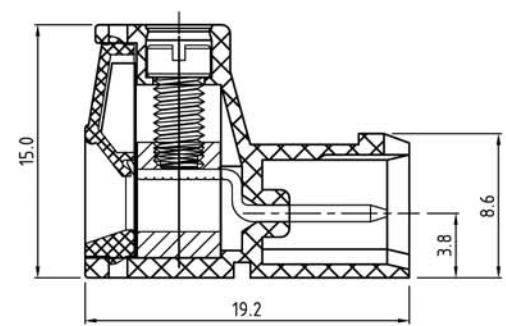


SIGN	DESCRIPTION	DATE	APPROVER



N=Number of contacts



Technical Data:

Material:

- Contact(metal housing): Copper Alloy Ni plated.
- Terminal screw: Steel galvanized with Cr3+ plated
- Surface of solder tail: Copper Alloy Tin plated.
- Insulator body(housing): Polyamide(UL94V-0)

Electrical

- Voltage rating: 300VAC
- Current rating: 16 Amps/way max
- Contact resistance: 20mΩ(max)
- Withstanding Voltage: 2500VAC(1min) Test time=60sec/1pcs
- Wire range: 12-26AWG

Mechanical:

- Torque: 5.0kgf.cm/M3
- Operating temperature: -40°C to +105°C
- Soldering reliability:
 - Test temperature= 250°C±10°C
 - 5 seconds max

Ordering Information:

F76-1-G XX-X 0 0 X 0 0 0 0

2 02 — 5 Green
 - - — 6 Blue
 24 24 — 8 Grey
 A Black

1 "-" SCREW
 2 "-/+ " SCREW

WELINK 上海拓尔普电子科技有限公司		Welink International Co., LTD.	
TOLERANCE	APPROVED:	NAME: F76-1 Pitch 7.62mm	
X. ±0.50	CHECKED:	-seriec	
X.X ±0.30	DRAWN: Ling Yu 2018,01,18	PART NO: F761GXXX00X0000	
X.XX ±0.20	UNITS: mm REV: A	DWG NO: 9F761G001A	
X° ±1°	SCALE: 3 / 1 PAGE: 1 / 1		