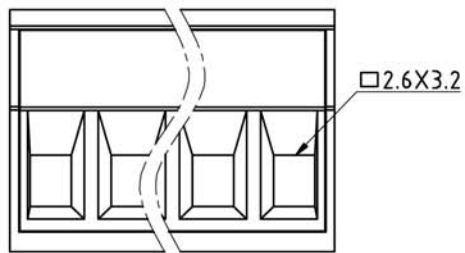
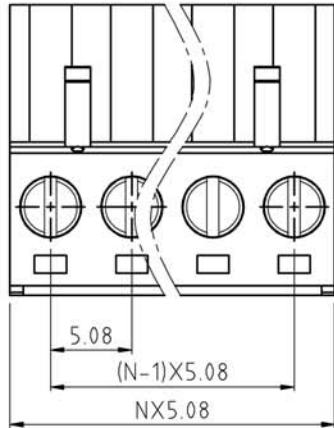
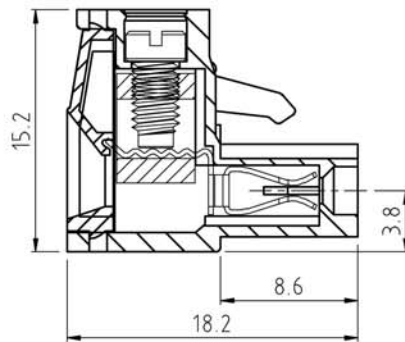


SIGN	DESCRIPTION	DATE	APPROVER



N=Number of contacts



Technical Data:

Material:

Contact(metal housing): Copper Alloy with Ni plated  
Terminal screw: Steel galvanized with Cr3+ plated  
Wire guard: Copper Alloy, Tin plated.  
Insulator body(housing): Polyamide(UL94V-0)

Electrical

Voltage rating: 300VAC  
Current rating: 16 Amps/way max  
Contact resistance: 20mΩ(max)  
Withstanding Voltage: 2500VAC(1min) Test time=60sec/1pcs  
Wire range: 12-26AWG

Mechanical:

Torque: 5.0kgf.cm/M3  
Operating temperature: -40°C to +105°C  
Soldering reliability:  
Test temperature= 250°C±10°C  
5 seconds max

Ordering Information:

F75-5-E XX-X 0 0 X 0

5 Green  
6 Blue  
8 Grey  
A Black

2 02

24 24

1 "-" SCREW  
2 "-/+ " SCREW

**WELINK** 上海拓尔普电子科技有限公司  
Welink International Co.,LTD.

TOLERANCE	APPROVED:	NAME: F75 - 5 Pitch 5.08mm Series
X ±0.50	CHECKED:	
X.X ±0.30	DRAWN: Yang Ming 2011,09,26	
X.XX ±0.20	UNITS: mm	PART NO: F75EXX10X0
X° ±1°	REV: A	DWG NO: 9F75E001A
	SCALE: 3 / 1	PAGE: 1 / 1