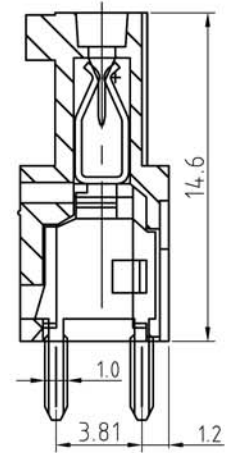
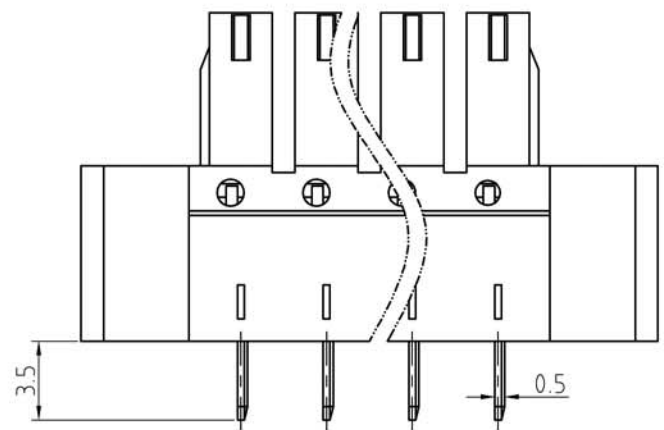
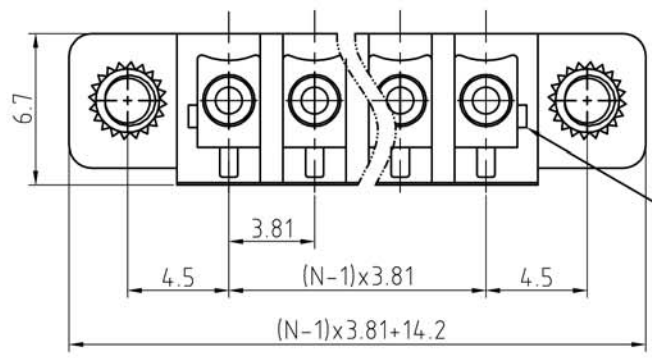


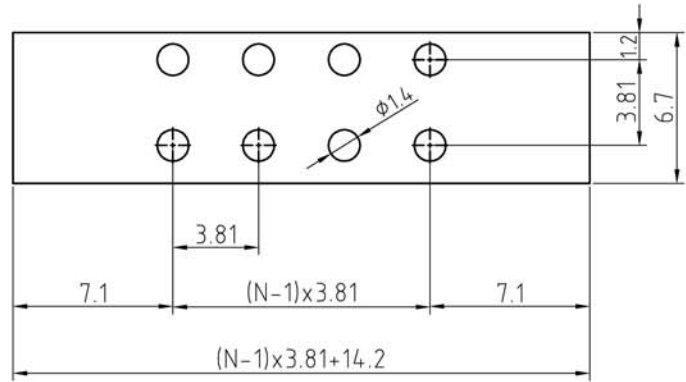
SIGN	DESCRIPTION	DATE	APPROVER



N=Number of contacts



2p to 6p with wedge, above 7p without wedge (including 7p)



P.C.B. LAYOUT

Technical Data:
 Material:
 Solder Pin: Copper Alloy with Tin plated
 terminal nut: Copper Alloy
 Insulator body(housing): Polyamide(UL94V-0)
 Electrical
 Voltage rating: 300VAC
 Current rating: 12 Amps/way max
 Withstanding Voltage: 2500VAC(1min) Test time=60sec/1pcs

Mechanical:
 Operating temperature: -40°C to +105°C
 Soldering reliability:
 Test temperature= 250°C±10°C
 5 seconds max

Ordering Information:
 F73 - S - C XX - 0 0 0 X 0

2	02	5	Green
-	-	6	Blue
24	24	8	Grey
		A	Black

WELINK 上海拓尔普电子科技有限公司		Welink International Co., LTD.	
TOLERANCE	APPROVED:	NAME: F73 - S - pitch 3.81mm	
X. ±0.50	CHECKED:	- series	
X.X ±0.30	DRAWN: Yang Ming 2012.06.20	PART NO: F73SCXX000X0	
X.XX ±0.20	UNITS: mm REV: A	DWG NO: 9F73SC001A	
X° ±1°	SCALE: 4 / 1 PAGE: 1 / 1		