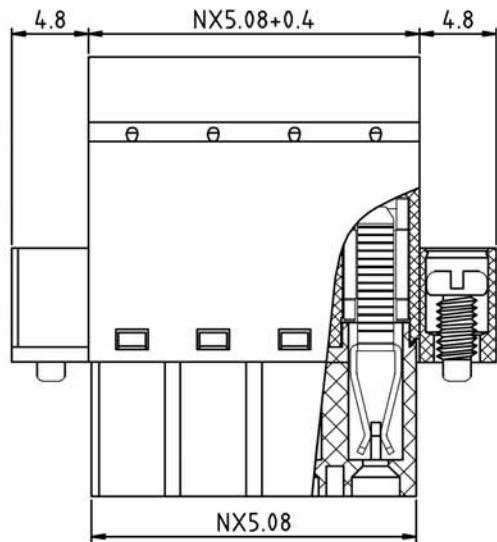
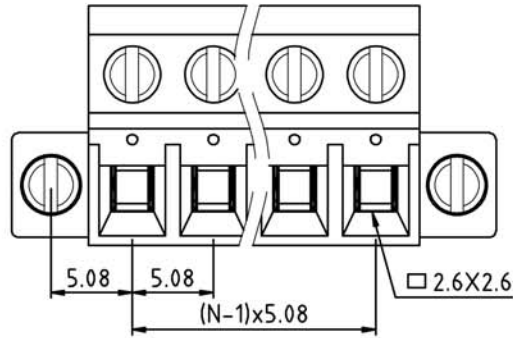
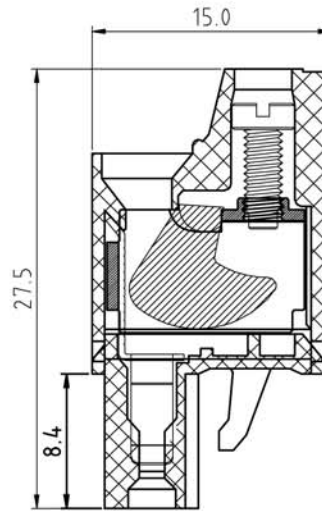


SIGN	DESCRIPTION	DATE	APPROVER



N=Number of contacts



Technical Data:

Material:

Contact(metal housing): Copper Alloy with Ni plated
Terminal screw: Steel galvanized with Cr3+ plated
Wire guard: Copper Alloy Tin plated.
Insulator body(housing): Polyamide(UL94V-0)

Electrical

Voltage rating: 300VAC
Current rating: 16 Amps/way max
Contact resistance: 20mΩ(max)
Withstanding Voltage: 2500VAC(1min) Test time=60sec/1pcs
Wire range: 12-26AWG

Mechanical:

Torque: 4kgf.cm/M2.5
Operating temperature: -40°C to +105°C
Soldering reliability:
Test temperature= 250°C±10°C
5 seconds max

Ordering Information:

F75 - 8 - E XX - X 0 0 X 0

2 02 5 Green
- 24 6 Blue
24 8 Grey
A Black

1 "-" SCREW
2 "-/+" SCREW

WELINK 上海拓尔普电子科技有限公司
Welink International Co.,LTD.

TOLERANCE	APPROVED:	NAME:
X: ±0.50	CHECKED:	F758 Pitch 5.08mm Series
X.X: ±0.30	DRAWN: Yang Ming 2012.06.20	
X.XX: ±0.20	UNITS: mm REV: A	PART NO: F758EXX100X0
X°: ±1°	SCALE: 3 / 1 PAGE: 1 / 1	DWG NO: 9F758E001A