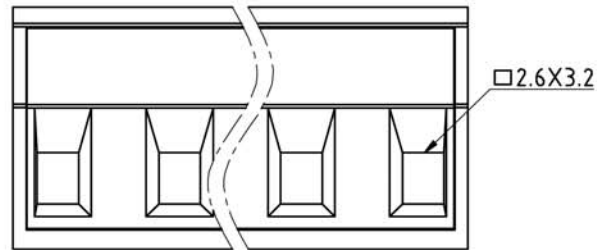
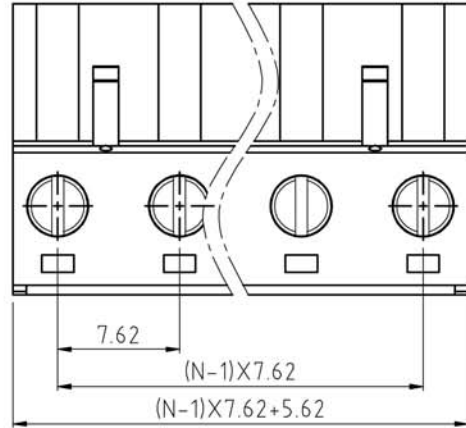
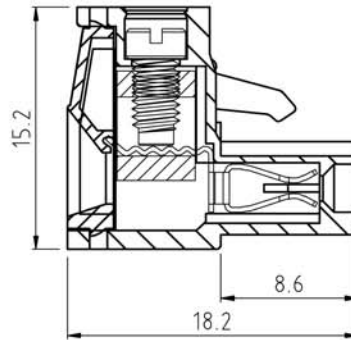


| SIGN | DESCRIPTION | DATE | APPROVER |
|------|-------------|------|----------|
|      |             |      |          |
|      |             |      |          |



N=Number of contacts



Technical Data:

Material:

Contact(metal housing): Copper Alloy with Ni plated  
Terminal screw: Steel galvanized with Cr3+ plated  
Wire guard: Copper Alloy, Tin plated.  
Insulator body(housing): Polyamide(UL94V-0)

Electrical

Voltage rating: 300VAC  
Current rating: 16 Amps/way max  
Contact resistance: 20mΩ(max)  
Withstanding Voltage: 2500VAC(1min) Test time=60sec/1pcs  
Wire range: 12-26AWG

Mechanical:

Torque: 5.0kgf.cm/M3  
Operating temperature: -40°C to +105°C  
Soldering reliability:  
Test temperature= 250°C±10°C  
5 seconds max

Ordering Information:

F75-5-G XX-X 0 0 X 0

2 02  
24 24

5 Green  
6 Blue  
8 Grey  
A Black

1 "-" SCREW  
2 "-/+ " SCREW

**WELINK** 上海拓尔普电子科技有限公司  
Welink International Co., LTD.

|            |                             |                       |
|------------|-----------------------------|-----------------------|
| TOLERANCE  | APPROVED:                   | NAME:                 |
| X ±0.30    | CHECKED:                    | F75-5 - pitch 7.62mm  |
| X.X ±0.15  | DRAWN: Yang Ming 2011,09,26 | - series              |
| X.XX ±0.05 | UNITS: mm                   | PART NO: F755GXX000X0 |
| X° ±1°     | REV: A                      | DWG NO: 9F755G001A    |
| ⊕          | SCALE: 3 / 1                | PAGE: 1 / 1           |