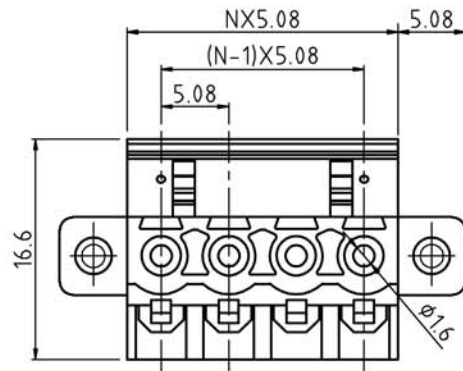
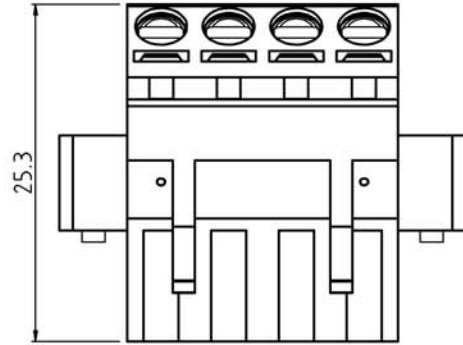
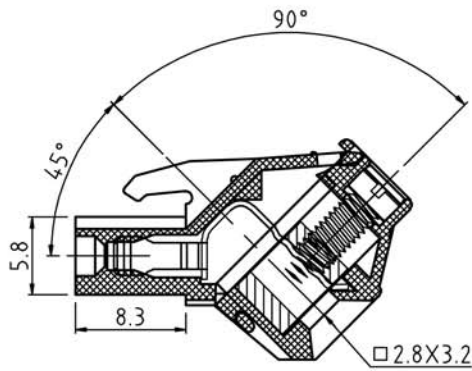
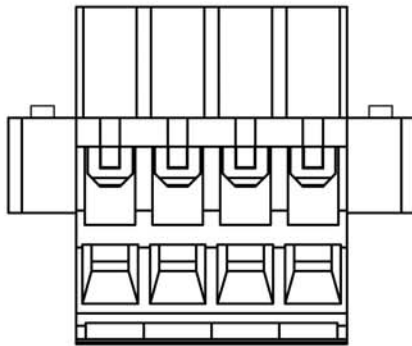


SIGN	DESCRIPTION	DATE	APPROVER
△			



N=Number of contacts



Technical data:

Material;

- Wire guard: Copper Alloy. with Tin plated
- Contact(metal housing): Copper Alloy with Ni plated
- Terminal screw:Steel galvanized with Cr3+ plated
- Insulator body: Polyamide.(UL94V-0).

Electrical

- Voltage rating: 300VAC.
- Current rating: 16Amps/way max.
- Contact resistance: 20mΩ
- Withstanding voltage: 2500VAC/1Min. Test time=60 Sec/1pcs
- Wire range: 12-26AWG.

Mechanical

- Torque: 5.0kgf.cm/M3.
- Operating Temperature; -40°C to +105°C
- Soldering Temperature; 250°C±10°C/5 Sec

Ordering Information:

F75-G- E XX-X 0 0 X 0

- 2 02 5 Green
- 4 04 6 Blue
- 24 24 A Black
- 1 "-"Screw
- 2 "-/+ "Screw

WELINK 上海拓尔普电子科技有限公司
Welink International Co.,LTD.

TOLERANCE	APPROVED:	NAME:
X. ±0.50	CHECKED:	F75-G-Pitch 5.08
X.X ±0.30	DRAWN: Yang Ming 2012,06,20	-Series
X.XX ±0.20	UNITS: mm	PART NO: F75GEXXX00X0
X° ±1°	REV: A	DWG NO: 9F75GE001A
⊕	SCALE: 2.5 / 1	PAGE: 1 / 1