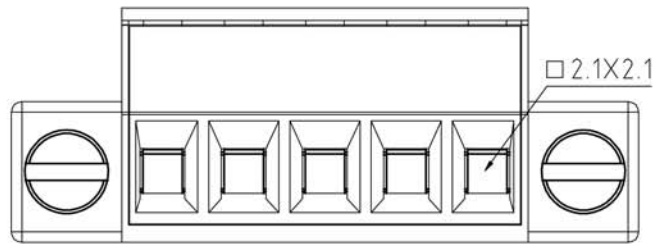
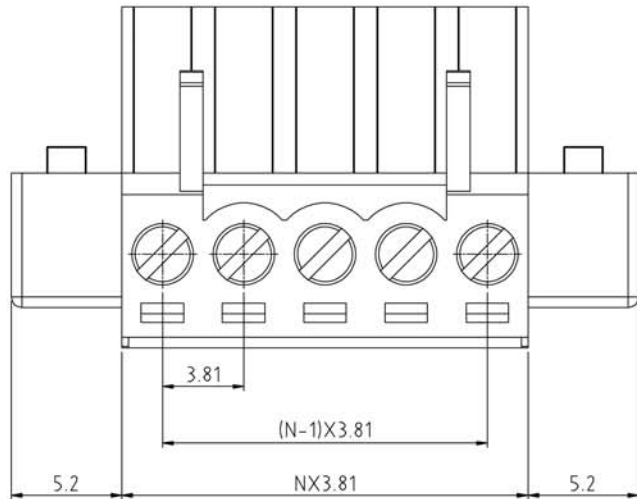
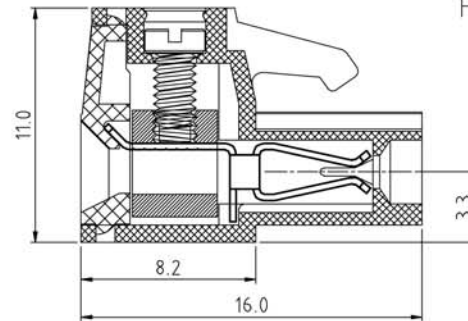


SIGN	DESCRIPTION	DATE	APPROVER



N=Number of contacts



**Technical Data:**

**Material:**

Contact(metal housing): Copper Alloy with Ni plated  
Terminal screw: Steel galvanized with Cr3+ plated  
Wire guard: Copper Alloy, Tin plated.  
Insulator body(housing): Polyamide(UL94V-0)

**Electrical**

Voltage rating: 300VAC  
Current rating: 12 Amps/way max  
Contact resistance: 20mΩ(max)  
Withstanding Voltage: 2500VAC(1min) Test time=60sec/1pcs  
Wire range: 16-24AWG

**Mechanical:**

Torque: 2.5kgf.cm/M2  
Operating temperature: -40°C to +105°C  
Soldering reliability:  
Test temperature= 250°C±10°C  
5 seconds max

**Ordering Information:**

F73 - 9 - C XX - X 0 0 X 0

- 2 02
- -
- 24 24
- 5 Green
- 6 Blue
- 8 Grey
- A Black
- 1 Earless
- 2 Auricled
- 1 "-" SCREW
- 2 "-/+" SCREW

**WELINK** 上海拓尔普电子科技有限公司  
Welink International Co., LTD.

TOLERANCE	APPROVED:	NAME:
X ±0.50	CHECKED:	F73-9 Pitch 3.81mm
X.X ±0.30	DRAWN: Yang Ming 2012,10,13	-seriec -Auricled
X.XX ±0.20	UNITS: mm	PART NO: F739CXX102X0
X° ±1°	REV: A	DWG NO: 9F739C001A
SCALE: 4 / 1	PAGE: 1 / 1	