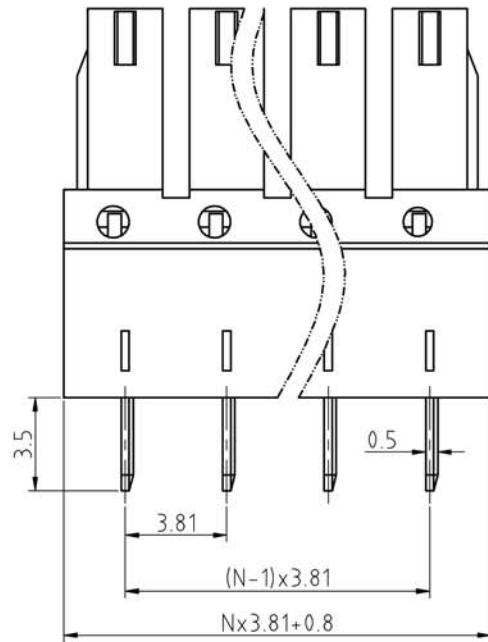
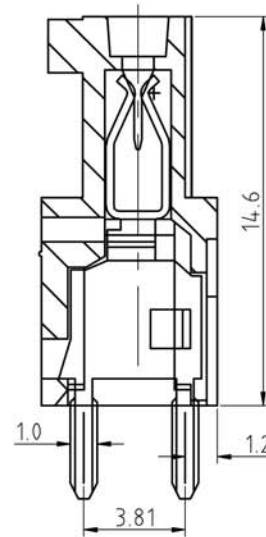


SIGN	DESCRIPTION	DATE	APPROVER



N=Number of contacts



Technical Data:

Material:

Solder Pin: Copper Alloy with Tin plated

Insulator body(housing): Polyamide(UL94V-0)

Electrical

Voltage rating: 300VAC

Current rating: 12 Amps/way max

Withstanding Voltage: 2500VAC(1min) Test time=60sec/1pcs

Mechanical:

Operating temperature: -40°C to +105°C

Soldering reliability:

Test temperature= 250°C±10°C

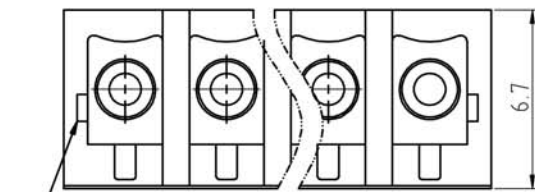
5 seconds max

Ordering Information:

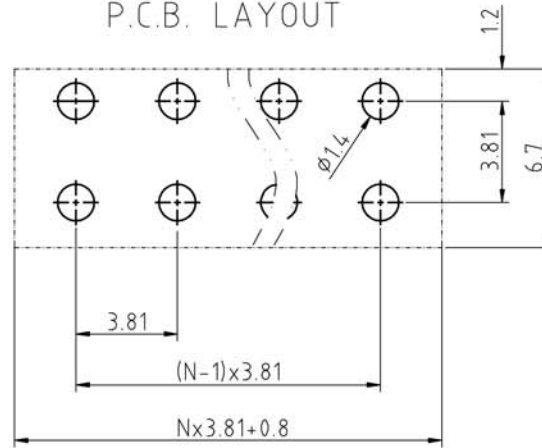
F73-P-C XX-0 0 0 X 0

2	02	5	Green
4	04	6	Blue
20	20	A	Black

P.C.B. LAYOUT



2p to 6p with wedge, above 7p without wedge(including 7p)



WELINK 上海拓尔普电子科技有限公司
Welink International Co., LTD.

TOLERANCE X: ±0.50 X.X: ±0.30 X.XX: ±0.20 X°: ±1°	APPROVED:	NAME: F73 - P - pitch 3.81mm - series
	CHECKED:	
	DRAWN: Yang Ming 2012,06,20	PART NO: F73PCXX000X0
	UNITS: mm REV: A	DWG NO: 9F73PC001A
	SCALE: 5 / 1	PAGE: 1 / 1