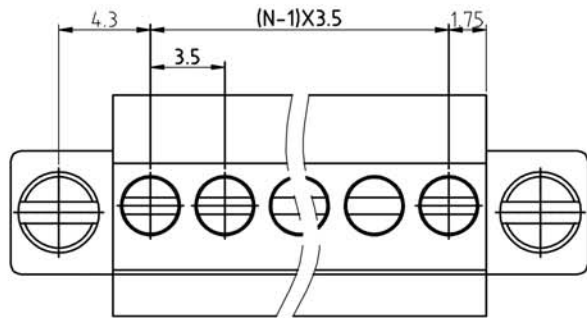
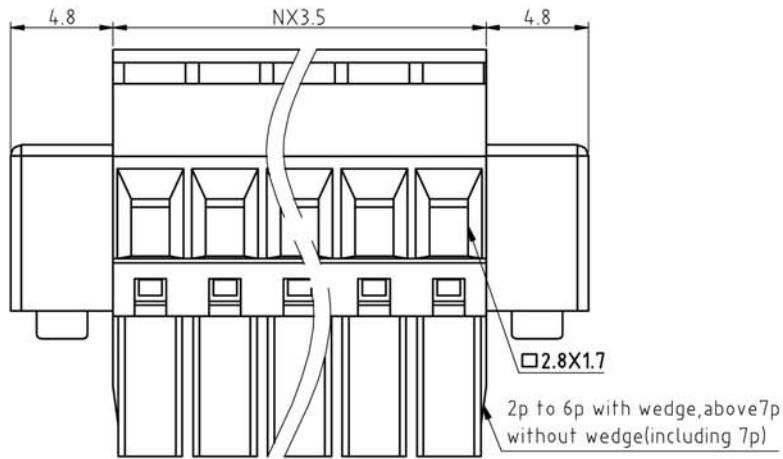
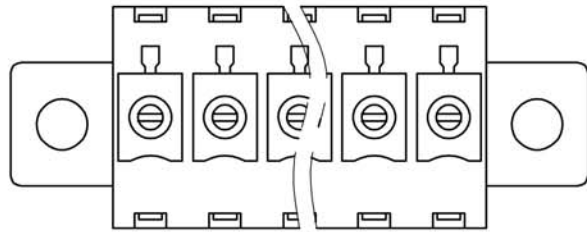
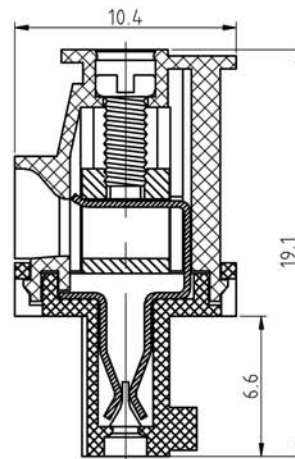


SIGN	DESCRIPTION	DATE	APPROVER



N=Number of contacts



Technical Data:

Material:

Contact(metal housing): Copper Alloy, Ni plated.
 Terminal screw: Steel galvanized with Cr3+ plated
 Wire guard: Copper Alloy, Tin plated.
 Insulator body(housing): Polyamide(UL94V-0)

Electrical

Voltage rating: 300VAC
 Current rating: 12 Amps/way max
 Contact resistance: 20mΩ (max)
 Withstanding Voltage: 2500VAC(1min) Test time=60sec/1pcs
 Wire range: 16-24AWG

Mechanical:

Torque: 2.5kgf.cm/M2
 Operating temperature: -40°C to +105°C
 Soldering reliability:
 Test temperature= 250°C±10°C
 5 seconds max

Ordering Information:

F73-E-3 XX-X 0 0 X 0

2	02	5	Green
4	04	6	Blue
20	20	A	Black
		1	"-"Screw
		2	"-/+ "Screw

WELINK 上海拓尔普电子科技有限公司
 Welink International Co., LTD.

TOLERANCE	APPROVED:	NAME:
X ±0.50	CHECKED:	F73-E Pitch 3.5mm Series
X.X ±0.30	DRAWN: Yang Ming 2012.06.20	
X.XX ±0.20	UNITS: mm	PART NO: F73E3XX100X0
X° ±1°	REV: A	DWG NO: 9F73E3001A
⊕	SCALE: 4 / 1	PAGE: 1 / 1