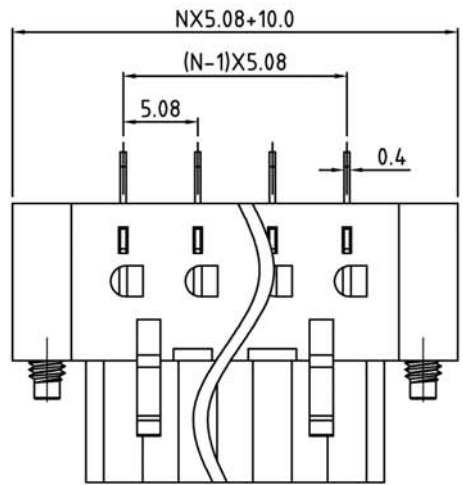
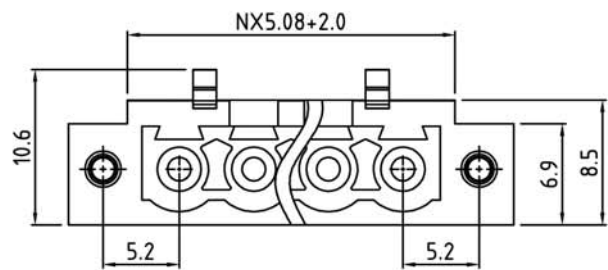


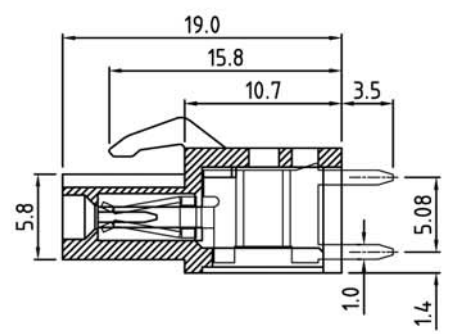
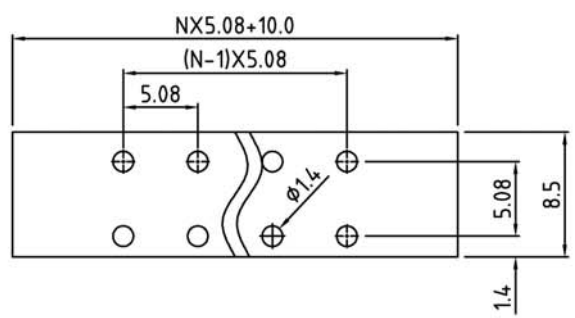
SIGN	DESCRIPTION	DATE	APPROVER



N=Number of contacts



P.C.B LAYOUT



Technical Data:
Material:
Solder Pin: Copper Alloy with Tin plated
Terminal screw: Steel galvanized with Cr3+ plated
Insulator body(housing): Polyamide(UL94V-0)
Electrical
Voltage rating: 300VAC
Current rating: 16 Amps/way max
Withstanding Voltage: 2500VAC(1min) Test time=60sec/1pcs
Mechanical:
Operating temperature: -40°C to +105°C
Soldering reliability:
Test temperature= 250°C±10°C
5 seconds max
Ordering Information:
F75-2-E XX-0 0 0 X 0
2 02 5 Green
4 04 6 Blue
20 20 A Black
1 Without flange
2 With flange Screw
3 With flange Screw nut
1 180°
2 90°

WELINK 上海拓尔普电子科技有限公司
Welink International Co.,LTD.

TOLERANCE X. ±0.50 X.X ±0.30 X.XX ±0.20 X° ±1°	APPROVED: CHECKED: DRAWN: YangMing 2013,09,23	NAME: F75 - 2 - pitch 5.08mm - seriesWith flange Screw -180D
UNITS: mm	REV: A	PART NO: F752EXX012X0
SCALE: 3 / 1	PAGE: 1 / 1	DWG NO: 9F752E012A