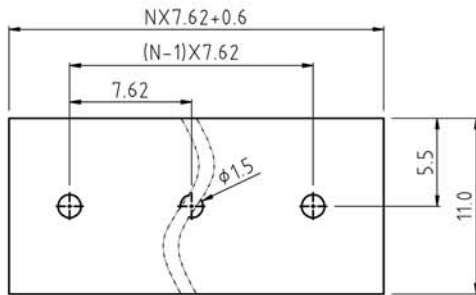
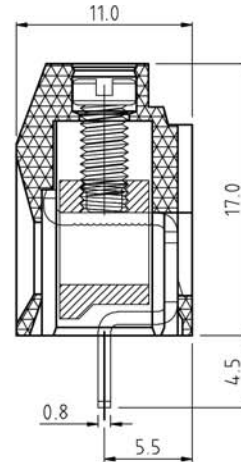
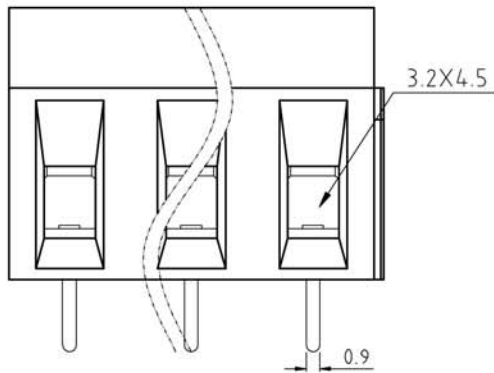
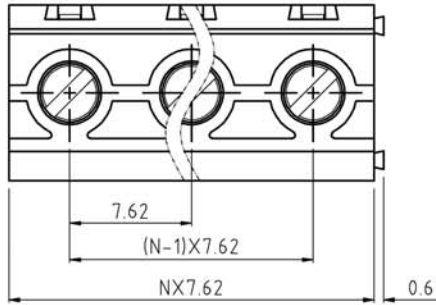


SIGN	DESCRIPTION	DATE	APPROVER

N=Number of contacts



P.C.B. LAYOUT

Technical Data:

Material:

Contact(metal housing): Copper Alloy Ni plated  
Terminal screw: Steel galvanized and with Cr3+ plated  
Solder Pin: Copper Alloy Tin plated  
Insulator body(housing): Polyamide(UL94V-0)

Electrical

Voltage rating: 300VAC  
Current rating: 30 Amps/way max  
Contact resistance: 20mΩ (max)  
Withstanding Voltage: 2500VAC(1min) Test time=60sec/1pcs  
Wire range: 10-26AWG

Mechanical:

Torque: 8.0kgf.cm/M3.0  
Operating temperature: -40°C to +105°C  
Soldering reliability:  
Test temperature= 250°C±10°C /5 seconds max

Ordering Information:

F36-3-G XX-X 0 0 X 0

2 02 5 GREEN  
4 04 6 BLUE  
24 24 1 "-SCREW  
2 "-/+SCREW

**WELINK** 上海拓尔普电子科技有限公司  
Welink International Co., LTD.

TOLERANCE	APPROVED:	NAME:
X: ±0.50	CHECKED:	F36-3 Pitch 7.62mm Series
X.X: ±0.30	DRAWN: Yang Ming 2012,06,20	
X.XX: ±0.20	UNITS: mm	REV: A
X°: ±1°	SCALE: 3 / 1	PAGE: 1 / 1
		PART NO: F363GXX100X0
		DWG NO: 9F363G001A