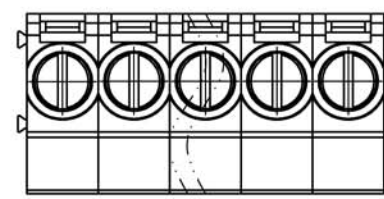
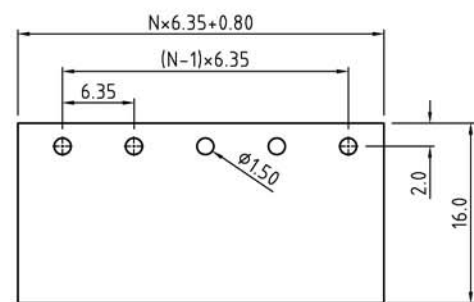
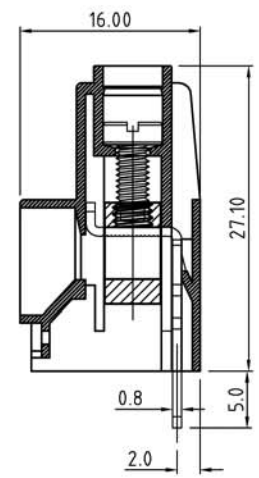
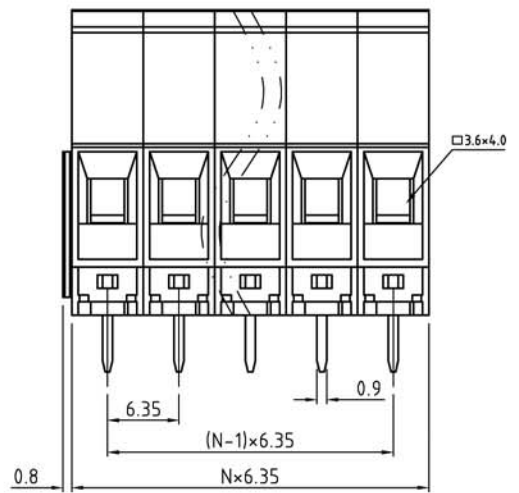


SIGN	DESCRIPTION	DATE	APPROVER



N=Number of contacts



P.C.B. LAYOUT

Technical Data:

Material:

- Contact(metal housing): Steel galvanized with Cr3+ plated
- Terminal screw: Steel galvanized with Cr3+ plated
- Solder Pin: Copper Alloy with Tin plated
- Insulator body(housing): Polyamide(UL94V-0)

Electrical

- Voltage rating: 600VAC
- Current rating: 5 Amps/way max
- Contact resistance: 20mΩ (max)
- Withstanding Voltage: 2500VAC(1min) Test time=60sec/1pcs
- Wire range: 6-20AWG

Mechanical:

- Torque: 16.0kgf.cm/M4
- Operating temperature: -40°C to +105°C
- Soldering reliability:

Test temperature= 250°C±10°C /5 seconds max

Ordering Information:

F36-4-F XX-X X 0 X 0

- 2 02
- 4 04
- 24 24
- 5 Green
- 6 Blue
- A Black
- 0 Double Row Double Pin
- 1 Single Row Single Pin
- 2 Single Row Double Pin
- 3 Double Row Four Pin
- 4 Single Row Four Pin
- 1 "-"Screw
- 2 "-/+Screw

WELINK 上海拓尔普电子科技有限公司
Welink International Co., LTD.

TOLERANCE	APPROVED:	NAME: F36 - 4 Pitch 6.35mm Series
X. ±0.50	CHECKED:	
X.X ±0.30	DRAWN: Ling Yu 2014,11,14	
X.XX ±0.20	UNITS: mm	REV: A
X° ±1°	SCALE: 2 / 1	PAGE: 1 / 1
PART NO: F364FXX110X0		DWG NO: 9F364F101A