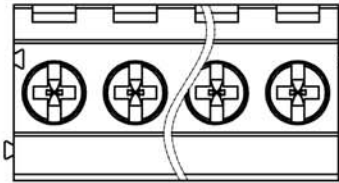
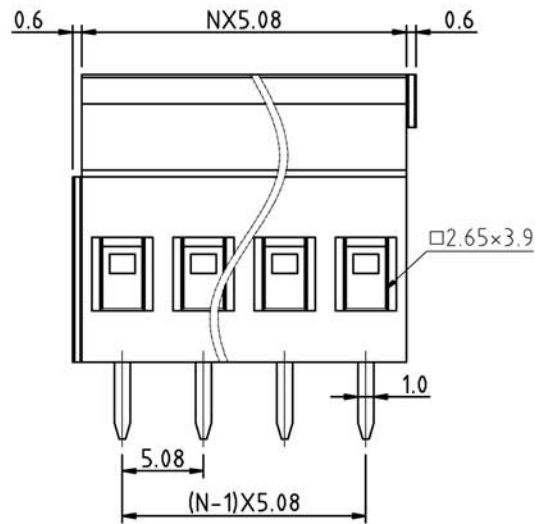


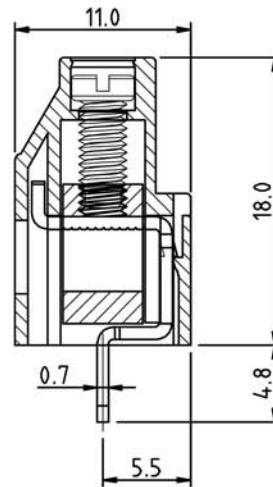
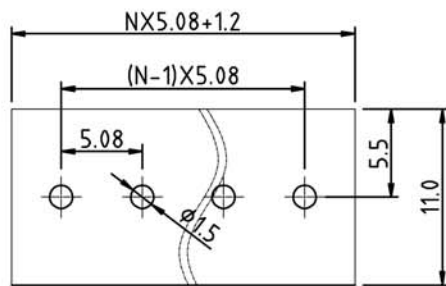
SIGN	DESCRIPTION	DATE	APPROVER



N=Number of contacts



P.C.B. LAYOUT



Technical Data:

Material:

Contact(metal housing): Copper Alloy Ni plated  
 Terminal screw: Copper Alloy with Cr3+ plated  
 Solder Pin: Copper Alloy with Tin plated  
 Insulator body(housing): Polyamide(UL94V-0)

Electrical

Voltage rating: 300VAC  
 Current rating: 16 Amps/way max  
 Contact resistance: 20mΩ (max)  
 Withstanding Voltage: 2500VAC(1min) Test  
 time=60sec/1pcs

Wire range: 12-30AWG

Mechanical:

Torque: 4.5kgf.cm/M3  
 Operating temperature: -40°C to +105°C  
 Soldering reliability: 250°C±10°C/5 seconds max

Ordering Information:

F35-I-E XX - X X 0 X 0  
 2 02      5 GREEN  
 - -        8 GREY  
 24 24     0 180°  
           1 90°  
           1 "-" SCREW  
           2 "-/+ " SCREW

**WELINK** 上海拓尔普电子科技有限公司  
 Welink International Co., LTD.

TOLERANCE	APPROVED:	NAME:
X ±0.50	CHECKED:	F35-I - Pitch 5.08mm
X.X ±0.30	DRAWN: YangMing 2012,12,11	- Series
X.XX ±0.20	UNITS: mm	PART NO: F35IEXX200X0
X° ±1°	REV: A	DWG NO: 9F35IE001A
	SCALE: 3 / 1	PAGE: 1 / 1