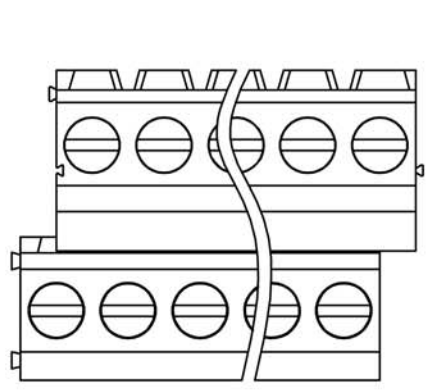
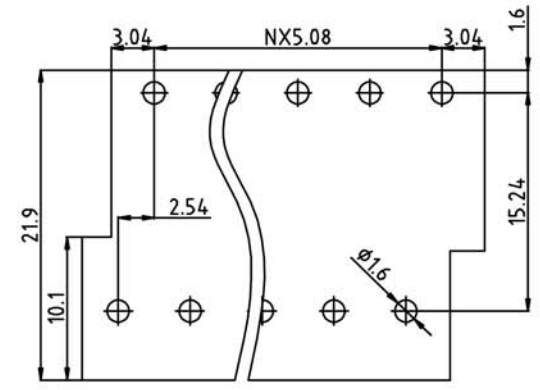


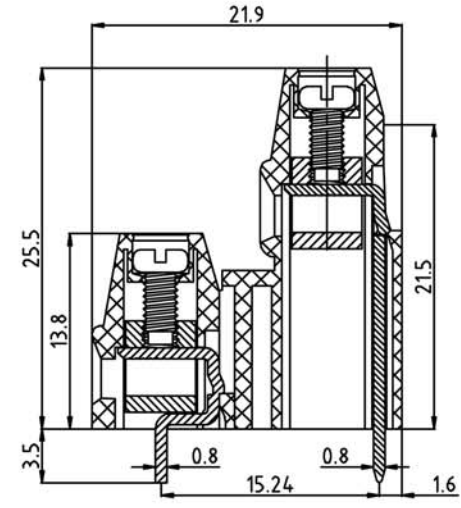
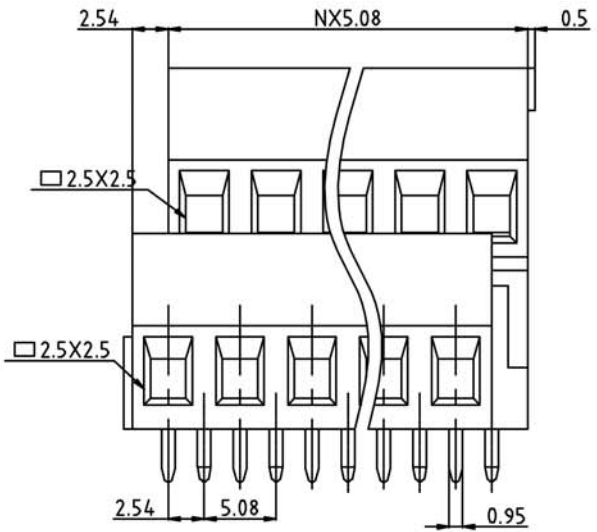
SIGN	DESCRIPTION	DATE	APPROVER
△	-----	2006,10,05	TONY



N=Number of conacts



P.C.B. LAYOUT



Technical Data:  
Material:  
Contact(metal housing): Copper Alloy Ni plated  
Terminal screw: Steel galvanized with Cr3+ plated  
Solder Pin: Copper Alloy with Tin plated  
Insulator body(housing): Polyamide(UL94V-0)  
Electrical  
Voltage rating: 300VAC  
Current rating: 16 Amps/way max  
Contact resistance: 20mΩ(max)  
Withstanding Voltage: 2500VAC(1min) Test time=60sec/1pcs  
Wire range: 12-30AWG  
Mechanical:  
Torque: 4.5kgf.cm/M2.5  
Operating temperature: -40°C to +105°C  
Soldering reliability:  
Test temperature= 250°C±10°C  
5 seconds max  
Ordering Information:  
F35 - 6 - E XX - X 0 0 X 0  
2 02 | 5 Green  
- - | 6 Blue  
24 24 | 8 Grey  
| A Black  
1 "-" SCREW  
2 "-/+ " SCREW

**WELINK** 上海拓尔普电子科技有限公司  
**Welink International Co., LTD.**

TOLERANCE	APPROVED:	NAME: F35-6 Pitch 5.08mm series
X. ±0.50	CHECKED:	
X.X ±0.30	DRAWN: Yang Ming 2012,06,20	
X.XX ±0.20	UNITS: mm	PART NO: F356EXX100X0
X° ±1°	REV: A	DWG NO: 9F356E001A
⊕	SCALE: 3 / 1	PAGE: 1 / 1