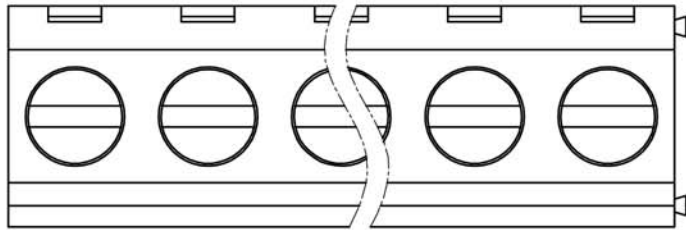
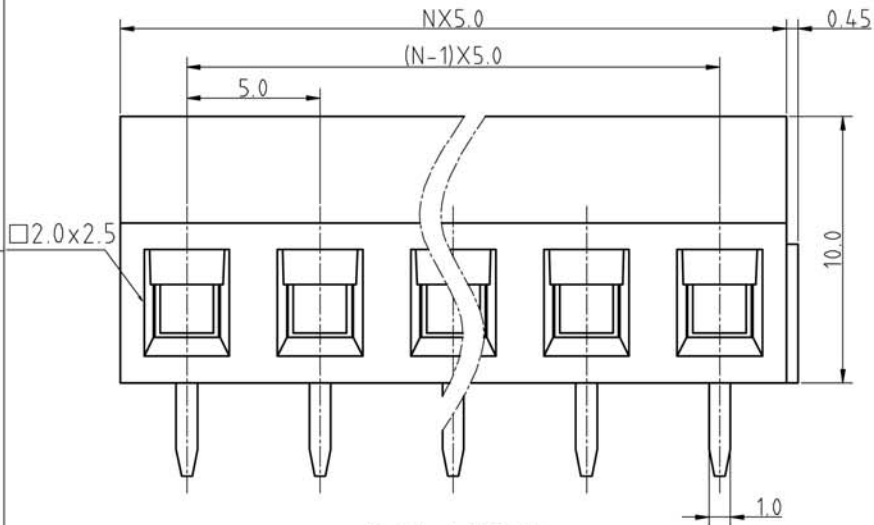


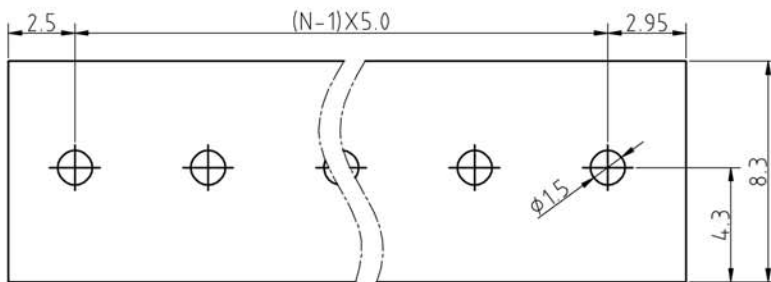
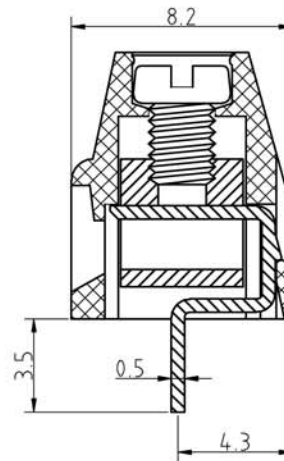
SIGN	DESCRIPTION	DATE	APPROVER



N=Number of conacts



P.C.B. LAYOUT



Technical Data:

Material:

Contact(metal housing): Copper Alloy Ni plated
 Terminal screw: Steel galvanized with Cr3+ plated
 Solder Pin: Copper Alloy with Tin plated
 Insulator body(housing): Polyamide(UL94V-0)

Electrical

Voltage rating: 300VAC
 Current rating: 16 Amps/way max
 Contact resistance: 20m Ω (max)
 Withstanding Voltage: 2500VAC(1min) Test
 time=60sec/1pcs
 Wire range: 12-30AWG

Mechanical:

Torque: 4.5kgf.cm/M2.5
 Operating temperature: -40°C to +105°C
 Soldering reliability:

Test temperature= 250°C \pm 10°C/5 seconds max

Ordering Information:

F35-F-5 XX - X X 0 X 0

2	02	┌───┐	5	GREEN
-	-		8	GREY
24	24	└───┘	0	180°
			1	90°
		└───┘	1	"-" SCREW
			2	"-/+ " SCREW

WELINK 上海拓尔普电子科技有限公司
 Welink International Co., LTD.

TOLERANCE	APPROVED:	NAME:
X ± 0.50	CHECKED:	F35-F Pitch 5.0mm
X.X ± 0.30	DRAWN: Yang Ming 2012,06,20	-series
X.XX ± 0.20	UNITS: mm	PART NO: F35F5XX10X0
X° $\pm 1^\circ$	REV: A	DWG NO: 9F35F5001A
	SCALE: 5 / 1	PAGE: 1 / 1