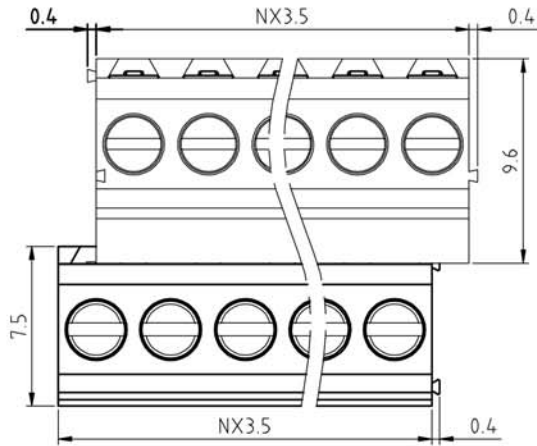
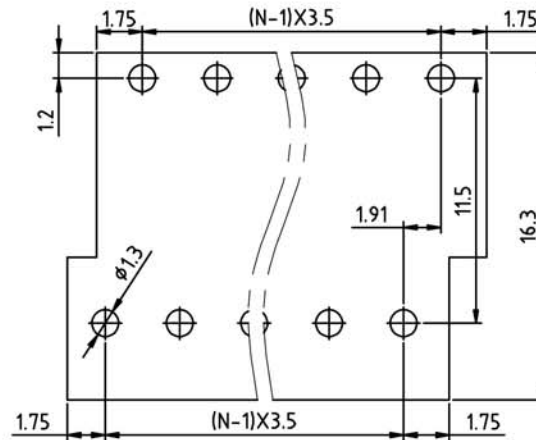


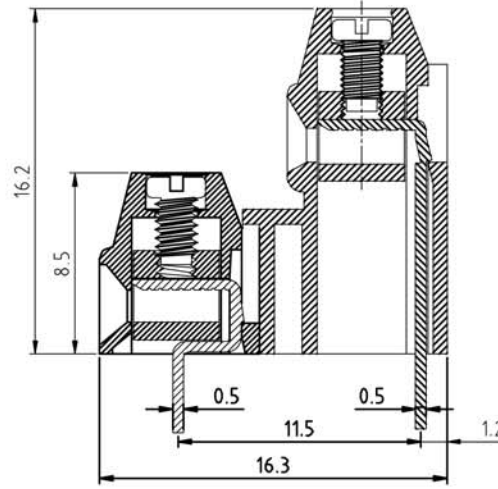
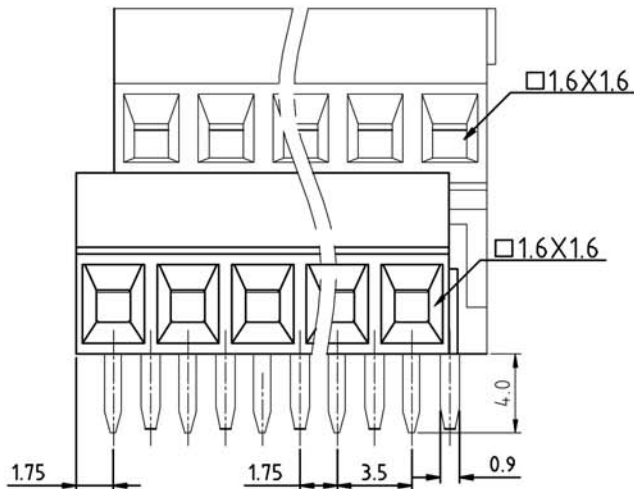
SIGN	DESCRIPTION	DATE	APPROVER



N=Number of contacts



P.C.B. LAYOUT



Technical Data:

Material:

- Contact(metal housing): Copper Alloy with Ni plated
- Terminal screw: Steel galvanized with Cr 3+ plated
- Solder Pin: Copper Alloy with Tin plated
- Insulator body(housing): Polyamide(UL94V-0)

Electrical

- Voltage rating: 300VAC
- Current rating: 10 Amps/way max
- Contact resistance: 20mΩ (max)
- Withstanding Voltage: 2500VAC(1min) Test time=60sec/1pcs
- Wire range: 16-30AWG

Mechanical:

- Torque: 2kg-cm/M2
- Operating temperature: -40°C to +105°C
- Soldering reliability:
Test temperature= 250°C±10°C
5 seconds max

Ordering Information:

F33-4-X XX-X 0 0 X 0

- 5 Green
- 6 Blue
- A Black
- 2 02
- 4 04
- 24 24
- 1 "-"Screw
- 2 "-/+Screw
- 3 3.5mm
- C 3.81mm

WELINK 上海拓尔普电子科技有限公司
Welink International Co.,LTD.

TOLERANCE	APPROVED:	NAME:
X ±0.50	CHECKED:	F33-4 Pitch 3.5mm series
X.X ±0.30	DRAWN: Yang Ming 2012,06,20	
X.XX ±0.20	UNITS: mm	REV: A
X° ±1°	SCALE: 4 / 1	PAGE: 1 / 1
		PART NO: F3343XXX00X0
		DWG NO: 9F3343001A