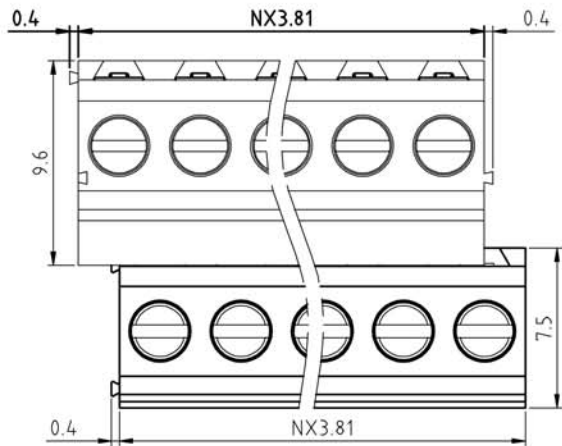
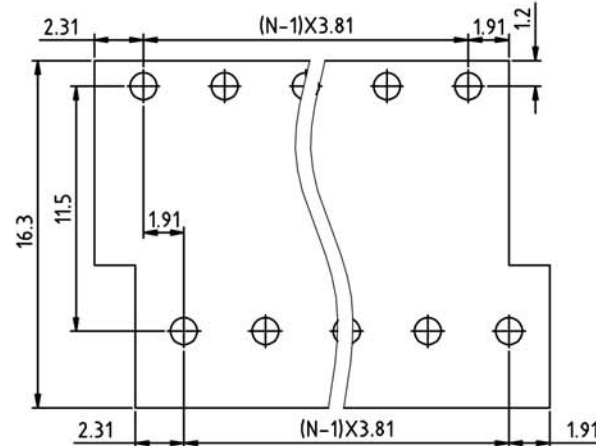


SIGN	DESCRIPTION	DATE	APPROVER



N=Number of contacts

P.C.B. LAYOUT



P.C.B. LAYOUT

Technical Data:

Material:

- Contact(metal housing): Copper Alloy with Ni plated
- Terminal screw: Steel galvanized with Cr 3+ plated
- Solder Pin: Copper Alloy with Tin plated
- Insulator body(housing): Polyamide(UL94V-0)

Electrical

- Voltage rating: 300VAC
- Current rating: 10 Amps/way max
- Contact resistance: $20m\Omega$ (max)
- Withstanding Voltage: 2500VAC(1min) Test time=60sec/1pcs
- Wire range: 16-30AWG

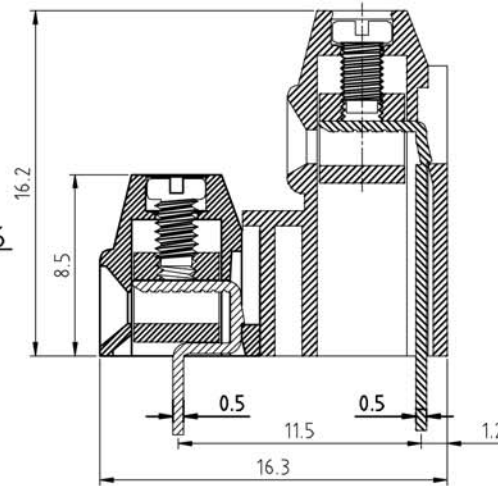
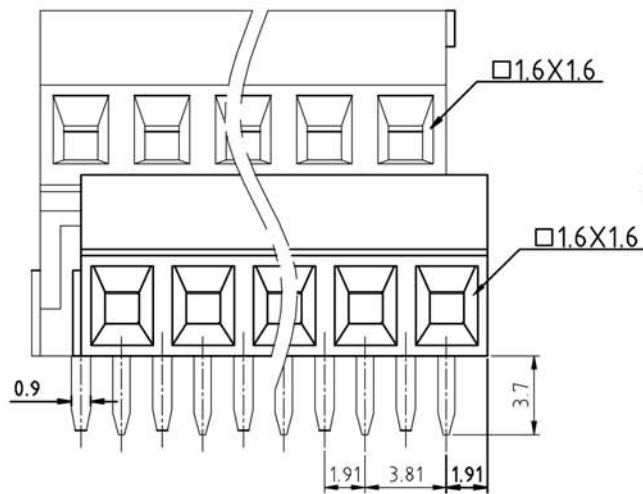
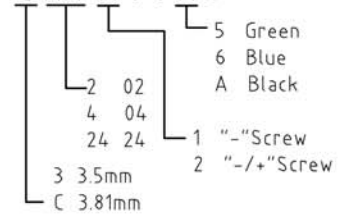
Mechanical:

- Torque: 2kg-cm/M2
- Operating temperature: $-40^{\circ}C$ to $+105^{\circ}C$
- Soldering reliability:

Test temperature= $250^{\circ}C \pm 10^{\circ}C$
5 seconds max

Ordering Information:

F33-5-C XX-X 0 0 X 0



WELINK 上海拓尔普电子科技有限公司
Welink International Co., LTD.

TOLERANCE	APPROVED:	NAME: F33-5 Pitch 3.81 mm series
X: ± 0.50	CHECKED:	
X.X: ± 0.30	DRAWN: Yang Ming 2012.06.20	
X.XX: ± 0.20	UNITS: mm	PART NO: F33SCXXX00X0
X°: $\pm 1^{\circ}$	REV: A	DWG NO: 9F335C001A
	SCALE: 4 / 1	PAGE: 1 / 1